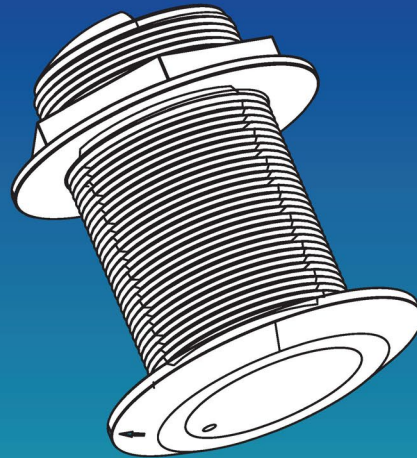


Dual Frequency CW Transducer

BT70D600CW / ST70D600CW

50 / 200 kHz 600 Watts



Get target detail in shallow water and good deep-water bottom tracking

A thru hull, low profile transducer that will match vessels deadrise to specific angle.

This series is designed to minimize drag and to perform at high speeds.

Available in bronze* and stainless steel.



•warning: do not install bronze housing into metal hulls.

TRANSDUCER

- Dual Frequency CW

FREQUENCY

- 50 - 200kHz

BEAMWIDTH

- 420 / no

POWER

- 600W

MOUNT

- Thru hull

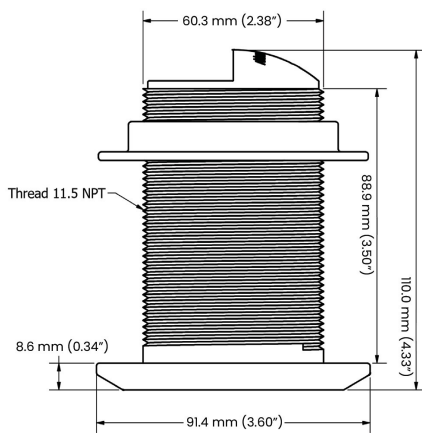
MATERIAL

- Bronze or stainless steel

Dual Frequency CW Transducer

ST70D600CW / BT70D600CW

TECHNICAL SPECIFICATIONS



| | |
|-----------------------|--|
| Function | Depth and Temperature |
| Frequency | CW 50 / 200 kHz |
| Mount type | Thru hull |
| Tilt/deadrise options | 18° tilted version: for 16° to 24° hull deadrise 12° tilted version: for 8° to 15° hull deadrise 0° tilted version: for 0° to 7° hull deadrise |
| Material | Bronze (BT70D600CW) Stainless steel (ST70D600CW) |
| RMS Power | 600 W |
| Beamwidth | 42° / 11° @ -3db |
| Depth | Max @50 kHz = 353 m (1,200 ft) Max @200 kHz = 206 m (700 ft) |
| Temp. sensor | NTC |
| Acoustic window | Urethane |
| Weight | 1540 g (54 oz) |
| Cable length | 8 m (27 ft) |
| Hole diameter | 60.3 mm (2.38") |

L4206CAC010

Customization available on request.

Designed in USA, Made in ITALY

Echonautics is the result of a joint venture between an American company specialized in transducers design and an Italian manufacturer of marine electronics since 1985, born to offer a high-quality range of transducers ready to deliver to boat manufacturers worldwide.

SALES NORTH AMERICA

AvMap Satellite Navigation Inc. (TWS group)

25 Enterprise Zone Drive,
Riverhead, NY 11901, USA
+1 800 363 2627
orders@avmap.us

SALES EMEA, APAC

AvMap s.r.l. (TWS group)

Viale Zaccagna 6,
54033 Carrara (MS), ITALY
+ 39 0585 772305
orders@avmap.it