

Thank you for purchasing a Shakespeare antenna product. Customer comments are welcome. Before installing, please study the diagram and check parts supplied against those listed.

IMPORTANT! Please read all instructions before installing.

The Style 4357-S is a solid-state, passive device that filters AM/FM signals from any VHF antenna, directing them to an AM/FM radio. The Band Separator lets you use both signals at the same time, without purchasing a separate AM/FM antenna. The device's pick off point is not in line with the power going to the VHF radio and will not cause harm to the AM/FM radio when transmitting a VHF signal.

The 4357-S is ideal for use with low-profile antennas such as the Shakespeare Style 5215 Squatty Body® and Shakespeare Styles 5240-R and 5241-R.

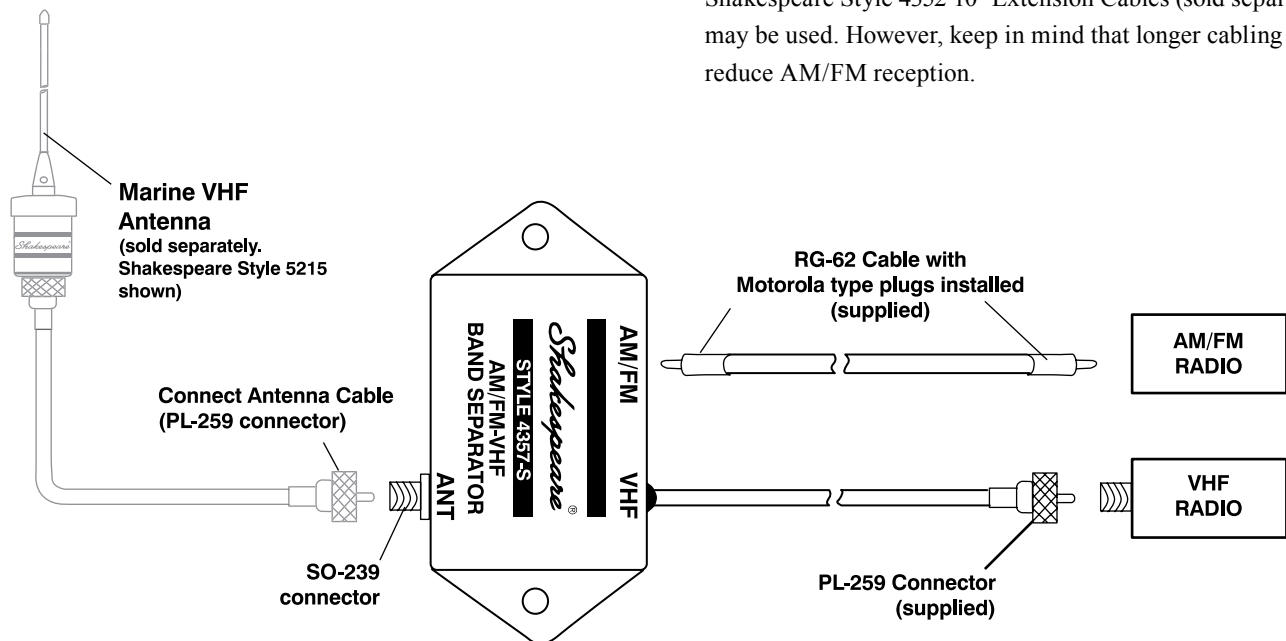
Tools required: None, except as specified in instructions for PL-259 connector.

Supplied Parts

- 1 Band Separator Unit
- 1 PL-259 Connector
- 1 RG-62 Cable, 10', with Motorola type plugs installed

Installation Instructions

1. Disconnect the coaxial antenna cable from the VHF radio and connect it to the position marked "ANT" on the Band Separator.
2. Route the Band Separator's cable marked "VHF" to your VHF radio and install the PL-259 connector according to the instructions included with the connector.
3. Use the preassembled cable with male Motorola type plugs on each end to connect the Band Separator jack (marked "AM/FM") to the antenna input jack on your AM/FM radio.
4. Some adjustment of the AM Section of the AM/FM radio may be required for best AM reception; please refer to your AM/FM radio's installation manual. No adjustment is needed for the FM signal.
5. If the supplied 10' cable is not long enough for your installation, Shakespeare Style 4352 10' Extension Cables (sold separately) may be used. However, keep in mind that longer cabling could reduce AM/FM reception.



Shakespeare Electronic Products Group

U.S. Operations: 6111 Shakespeare Rd. · Columbia, SC 29223 · 803-227-1590 · Fax: 803-419-3099 · www.shakespeare-marine.com
 U.K. Operations: Enterprise Way, Fleetwood, Lancashire, FY7 8RY, England · +44 (0) 1253 858787 · Fax: +44 (0) 1253-859595 · www.vtronix-antennas.com