



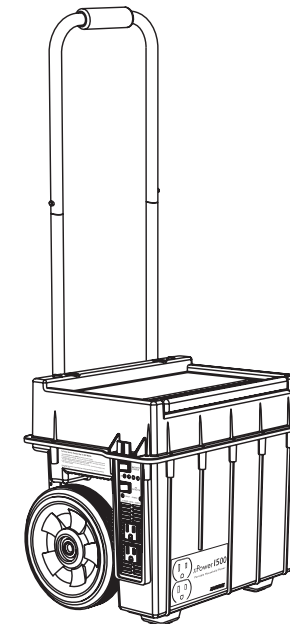
xantrex

t 1 408-987-6030

f 1 360-925-5143

www.xantrex.com

XPowEr 1500 Portable Household Power



Owner's Guide



XPowEr 1500 Portable Household Power

Owner's Guide

About Xantrex

Xantrex Technology Inc. is a world-leading supplier of advanced power electronics and controls with products ranging from small mobile units to utility-scale systems for wind, solar, batteries, fuel cells, microturbines, and backup power applications in both grid-connected and stand-alone systems. Xantrex products include inverters, battery chargers, programmable power supplies, and variable speed drives that convert, supply, control, clean, and distribute electrical power.

Trademarks

XPower 1500 Portable Household Power is a trademark of Xantrex International. Xantrex is a registered trademark of Xantrex International.

Other trademarks, registered trademarks, and product names are the property of their respective owners and are used herein for identification purposes only.

Notice of Copyright

XPower 1500 Portable Household Power Owner's Guide © October 2007 Xantrex International. All rights reserved.

Exclusion for Documentation

UNLESS SPECIFICALLY AGREED TO IN WRITING, XANTREX TECHNOLOGY INC. ("XANTREX")

(A) MAKES NO WARRANTY AS TO THE ACCURACY, SUFFICIENCY OR SUITABILITY OF ANY TECHNICAL OR OTHER INFORMATION PROVIDED IN ITS MANUALS OR OTHER DOCUMENTATION.

(B) ASSUMES NO RESPONSIBILITY OR LIABILITY FOR LOSSES, DAMAGES, COSTS OR EXPENSES, WHETHER SPECIAL, DIRECT, INDIRECT, CONSEQUENTIAL OR INCIDENTAL, WHICH MIGHT ARISE OUT OF THE USE OF SUCH INFORMATION. THE USE OF ANY SUCH INFORMATION WILL BE ENTIRELY AT THE USER'S RISK; AND

(C) REMINDS YOU THAT IF THIS MANUAL IS IN ANY LANGUAGE OTHER THAN ENGLISH, ALTHOUGH STEPS HAVE BEEN TAKEN TO MAINTAIN THE ACCURACY OF THE TRANSLATION, THE ACCURACY CANNOT BE GUARANTEED. APPROVED XANTREX CONTENT IS CONTAINED WITH THE ENGLISH LANGUAGE VERSION WHICH IS POSTED AT WWW.XANTREX.COM.

Date and Revision

October 2007 Revision 2

Part Number

445-0127-01-01

Product Number

802-1500

Contact Information

Telephone: 1 800 670 0707 (toll free North America)
1 408 987 6030 (direct)

Fax: 1 800 994 7828 (toll free North America)
1 360 925 5143 (direct)

Email: customerservice@xantrex.com

Web: www.xantrex.com

Important Safety Instructions

Misuse of XPower 1500 may result in danger to the user. We urge you to pay special attention to all CAUTION and WARNING statements. CAUTION statements identify conditions or practices that may result in damage to XPower 1500 or to other equipment. WARNING statements identify conditions that may result in personal injury or loss of life.

This chapter contains important safety and operating instructions. Read and keep this Owner's Guide for future reference.

Before installing and using the XPower 1500, read all instructions and cautionary markings on the XPower 1500 and all appropriate sections of this guide.



WARNING: Limitations on use

The XPower 1500 is not intended for use in connection with life support systems or other medical equipment or devices.



WARNING: Shock or fire hazard

- XPower 1500 generates the same potentially lethal AC power as a normal household wall outlet. Treat it with the same respect that you would any AC outlet.
- Do not insert any foreign objects into XPower 1500's AC outlets, its DC Power Socket, or the ventilation holes. Do not remove the covers on the High Power DC Terminals, unless connecting cables. Do not expose xPower1500 to water.
- Do not, under any circumstances, connect the XPower 1500's AC receptacle to power utility AC distribution wiring.
- Failure to follow the above safety instructions may result in personal injury and/or damage to xPower1500.



WARNING: Explosion hazard

- Do not use XPower 1500 where there are flammable fumes or gases, such as in the bilge of a gasoline powered boat, or near propane tanks. Do not use XPower 1500 in an enclosure containing automotive-type lead acid batteries. These batteries, unlike the sealed battery pack in the XPower 1500, vent explosive hydrogen gas, which can be ignited by sparks from electrical connections.
- When working on electrical equipment always ensure someone is nearby to help you in an emergency.



WARNING: Heat hazard

XPower 1500's internal inverter components may become uncomfortably warm, reaching 140°F (60°C) under extended high power operation. Ensure at least 15 cm (6 in) of air space is maintained on all sides and on top of XPower 1500. During operation, keep away from materials that may be affected by high temperatures such as blankets, pillows and sleeping bags.



CAUTION

- Do not connect any AC load whose neutral conductor is connected to ground, to XPower 1500.
 - Do not expose XPower 1500 to temperatures in excess of 104°F (40°C).
-

Precautions for Using Rechargeable Appliances

Most rechargeable battery-operated equipment uses a separate charger or transformer that is plugged into an AC receptacle and produces a low voltage charging output.

Some chargers for small rechargeable batteries can be damaged if connected to the XPower 1500.



CAUTION: Equipment damage

Do not use the following with the XPower 1500:

- Small battery-operated appliances like flashlights, razors, and night lights that can be plugged directly into an AC receptacle to recharge.
 - Some chargers for battery packs used in power hand tools. These affected chargers display a warning label stating that dangerous voltages are present at the battery terminals.
-

Important: if you are unsure about using your rechargeable appliance with the XPower 1500, contact the equipment manufacturer to find out if there are high voltages at the battery terminals or if the appliance incorporates the use of transformers.

Contents

Important Safety Instructions	iii
-------------------------------	-----

1 Introduction

Topics Covered in the Guide	1-1
Features and Accessories	1-2
Assembling the Handle	1-3

2 Operation

Power Ratings and Battery Life	2-2
XPower 1500 Basic Operation	2-3
Operating 115-volt AC Products	2-3
Operating 12-volt DC Accessories	2-3
Recharging XPower 1500	2-4
Using XPower 1500 to Jump-Start Your Vehicle	2-4
Indicators, Controls, and Connection Points	2-5
Powering 115-volt AC Products	2-9
Connecting Your AC Products	2-9
Automatic Protection: Overload, Overheating, and Low Battery	2-10
Battery Operating Times	2-11
Powering 12-volt DC Accessories	2-12
Connecting 12-volt DC Accessories	2-12
Battery Operating Times	2-13
Vehicle or Boat Engine Starting	2-14
Jump-starting Directly to the Battery	2-14
Jump-starting via a Vehicle's Lighter Plug Socket	2-15
Recharging XPower 1500	2-16
Charging Options	2-16
Battery Self-discharge and Shelf Life	2-16
Recharging with the AC Charger	2-17
Recharging from your Vehicle	2-18
Recharging with a Generator's 12-volt DC Power Outlet	2-19
Recharging with a Solar Panel	2-19

Connecting to an External Battery----- 2-20
 Extended Operating Time ----- 2-20
 Preparing the Cables ----- 2-20
 Connecting the Cables ----- 2-21
Battery Replacement----- 2-23
 Replacing XPower 1500's Internal Battery Pack ----- 2-23
 Obtaining a Battery Replacement ----- 2-24

3 Troubleshooting

Common Problems ----- 3-1
 Buzzing Sound in Audio Systems ----- 3-1
 Television Interference ----- 3-1
Troubleshooting Reference ----- 3-2

A Specifications

12-volt DC Section ----- A-1
115-volt AC Section ----- A-1
Charging System ----- A-2
Mechanical ----- A-2

Warranty and Return Information ----- WA-1

1

Introduction

Thank you for purchasing XPower 1500 Portable Household Power, the 1500-watt electronic generator that's portable and rechargeable. Designed for both indoor and outdoor use, XPower 1500™ can run a wide range of electrical products – from power tools to entertainment equipment, and even refrigerators. XPower 1500's rugged, cart-like design gives you go-anywhere AC power and its “plug-in-and-forget” charging system keeps it fully charged and ready for use any time the power goes out. With an optional set of jump-start cables, XPower 1500 can even start a vehicle or boat.

Read this guide before using XPower 1500 and save it for future reference.

Be sure to charge XPower 1500 immediately after purchase (see “Recharging XPower 1500” on page 2–16). XPower 1500's “plug-in-and-forget” charging system can be left permanently plugged into a wall outlet to keep its battery pack fully charged and ready for use.

Topics Covered in the Guide

- How to use XPower 1500 as a source of 115-volt AC power to run household or workplace products.
- How to use XPower 1500 as a source of 12-volt DC power to run typical auto or marine accessories.
- How to use XPower 1500 to jump-start a vehicle.
- How to recharge XPower 1500's internal battery pack.
- How to connect an external battery to XPower 1500.

Features and Accessories

A brief overview of XPower 1500's features is provided below. For complete information, be sure to read this manual fully. Figure 1-1 below shows XPower 1500's key features and accessories.

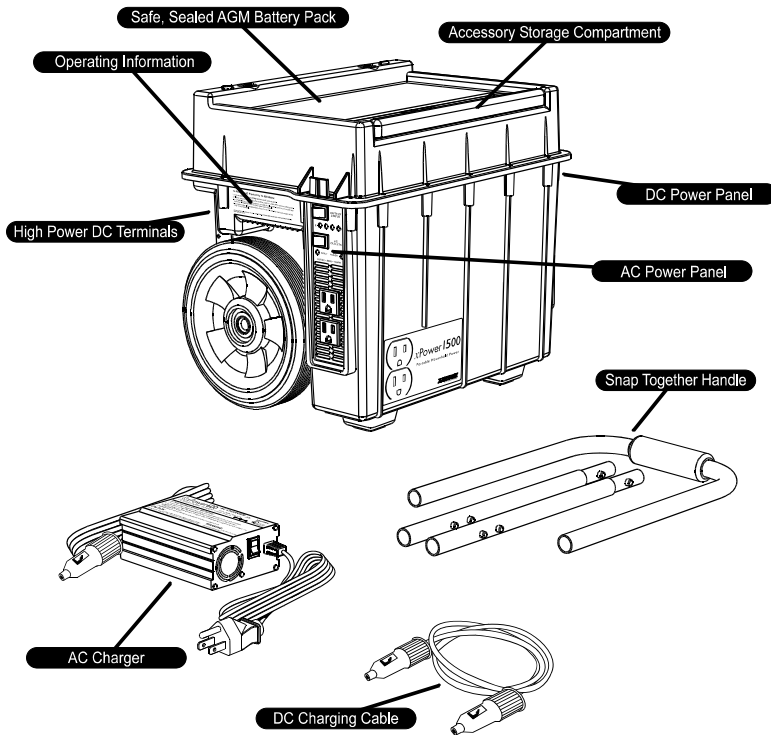


Figure 1-1 Features and Accessories

Assembling the Handle

Figure 1-2 below shows how to assemble the handle and attach it to XPower 1500.

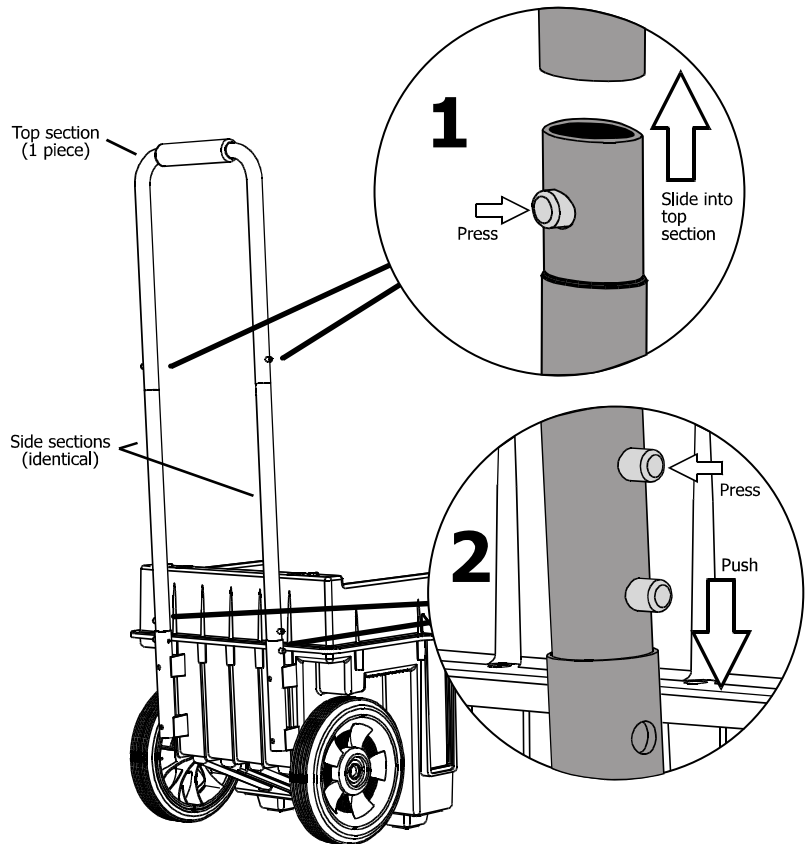


Figure 1-2 Handle Assembly

2

Operation

Chapter 2 explains how to operate the XPower 1500 efficiently and effectively.

The following topics are covered in this chapter:

- “Power Ratings and Battery Life”
- “XPower 1500 Basic Operation”
- “Indicators, Controls, and Connection Points”
- “Powering 115-volt AC Products”
- “Powering 12-volt DC Accessories”
- “Vehicle or Boat Engine Starting”
- “Recharging XPower 1500”
- “Connecting to an External Battery”
- “Battery Replacement”

Power Ratings and Battery Life

AC powered products are rated by how much electrical power (in watts) they consume. XPower 1500 is capable of generating a maximum of 1350 watts (maximum continuous) to power AC products plugged into the AC outlets. As an example, a lamp with a 40-watt light bulb can be operated from XPower 1500 for up to 9 hours when XPower 1500's internal battery pack is fully charged.

12-volt DC auto and marine accessories are generally rated according to how much electrical current (in amperes or "amps") they draw from the battery. For example, a small 12-volt fluorescent light draws less than 0.7 amps. When connected to XPower 1500's DC Power Socket, this light could be expected to operate for about 60 hours before XPower 1500's battery pack needs recharging. XPower 1500 is designed to supply up to 12 amps from its DC Power Socket.

Important: The fewer watts an AC product uses, or the fewer amps a DC accessory draws, the longer XPower 1500 will operate before recharging is required.

XPower 1500 Basic Operation

Operating 115-volt AC Products

1. Ensure XPower 1500's battery pack is fully charged. See "Recharging XPower 1500" on page 2–16 for details.
2. Turn the AC Outlets switch ON. The green POWER light indicates AC power is available at the AC outlets.
3. Plug the AC product(s) you wish to operate into the AC outlet(s) and switch the product(s) ON, one at a time. XPower 1500 will operate most devices rated up to 1350 watts.
4. In the event of an overload, low battery voltage or overheating, the AC outlets will automatically shut down and the red FAULT light will illuminate. See "Automatic Protection: Overload, Overheating, and Low Battery" on page 2–10 for details.
5. Fully recharge XPower 1500's battery pack as soon as possible after each use.

Operating 12-volt DC Accessories

1. Ensure XPower 1500's battery pack is fully charged. See "Recharging XPower 1500" on page 2–16 for details.
2. Plug the accessory into XPower 1500's DC Power Socket, and switch the accessory on (if required). XPower 1500 will operate any 12-volt DC auto or marine accessory that draws 12 amps or less.
3. Because the DC Power Socket is internally wired directly to XPower 1500's internal battery pack, extended operation of a 12-volt accessory may result in excessive battery discharge.

Important: Care must be taken to ensure the battery pack does not become totally discharged. See "Powering 12-volt DC Accessories" on page 2–12 for details.

Note: The internal cooling fan is thermally activated whenever the AC Outlet's switch is ON. The cooling fan helps maintain XPower 1500's output power when products with high power requirements are run.

Recharging XPower 1500

1. The battery's charge level may be seen by pressing the Battery Status switch on the AC Power Panel.
2. To recharge, plug the AC Charger into a standard 115-volt AC outlet and the DC plug into the DC Power Socket (located on the DC Power Panel). The Recharge Indicator on the AC Charger will change from amber to green when charging is complete (up to 15 hours). It is safe (and recommended) to leave the AC Charger connected indefinitely.

Important: Review the safety information in the AC Charger Owner's Guide (also enclosed) before recharging XPower 1500.

3. Charging may also be done from an automobile lighter socket. See "Recharging XPower 1500" on page 2-16 for details.

Using XPower 1500 to Jump-Start Your Vehicle

Due to potential dangers, see "Vehicle or Boat Engine Starting" on page 2-14 for a detailed explanation.

Indicators, Controls, and Connection Points

AC Power Panel

As shown in Figure 3 below, the AC Power Panel contains the Battery Status Switch, Battery Level Indicator, AC Outlets Switch, AC Power Light, Fault Light, and dual AC Outlets.

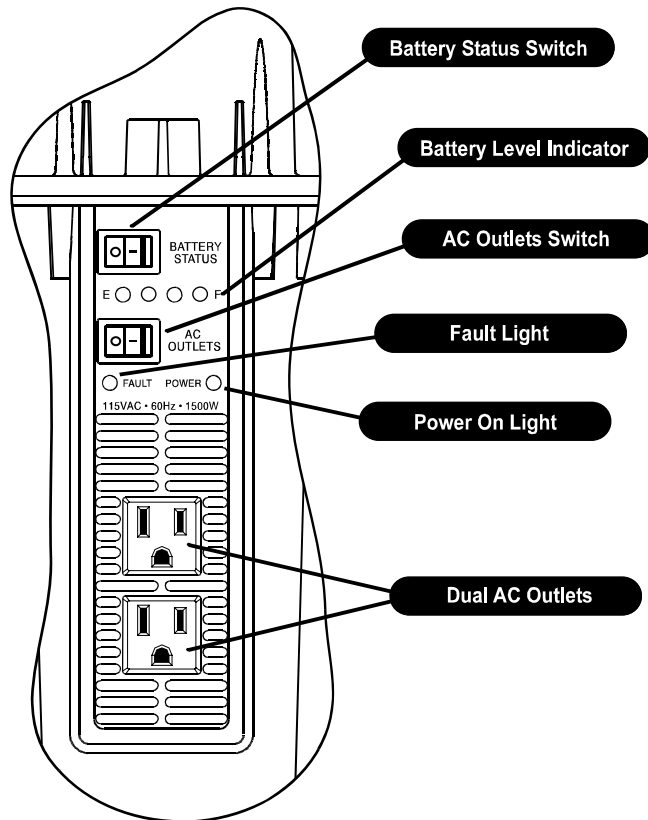


Figure 2-1 AC Power Panel

Battery Status Switch / Battery Level Indicator

The Battery Level Indicator shows the state of charge of XPower 1500's battery pack. Its function is similar to the fuel gauge in a car. When pressing and holding the Battery Status Switch, one or more of the four lights in the display will illuminate, showing the approximate amount of charge remaining in the battery pack. The following diagram shows the function of each light:

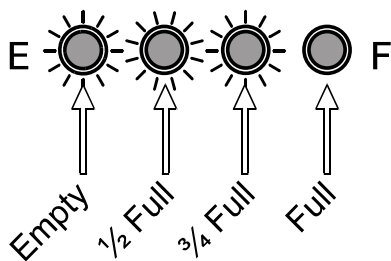


Figure 2-2 Battery level Indicator

When the battery pack is fully charged, all four lights will illuminate. When discharged (empty), only the red light will illuminate and the battery pack must be recharged promptly. Figure 4 shows the battery pack to be approximately $\frac{3}{4}$ full.

Battery charge level is indicated most accurately when the battery pack has been unused for 15 minutes. Pressing the Battery Status Switch while supplying power to an AC product may result in a false battery charge level reading.

AC Outlets
Switch /
POWER Light /
AC Outlets

Turning this switch ON supplies power to both AC Outlets. An audio tone sounds briefly when the AC Outlets are turned on. The POWER light illuminates to confirm the AC Outlets are on. Turning this switch OFF cuts power to the AC Outlets. When the POWER Light is off, the AC Outlets are off.

Important: The vents around the AC Outlets should never be covered or blocked when XPower 1500 is used. These vents are essential for maintaining optimal performance.

Fault Light

The FAULT Light illuminates when automatic shutdown occurs as a result of low battery voltage, overload, or over temperature conditions. See “Automatic Protection: Overload, Overheating, and Low Battery” on page 2–10 for details.

DC Power
Panel

As shown in Figure 5 below, the DC Power Panel contains the DC Power Socket, which provides 12 volts for operating automotive and marine type products. The DC Power Socket also serves as the input for recharging with either the AC Charger or DC Charging Cable. See “Recharging XPower 1500” on page 2–16 for details.

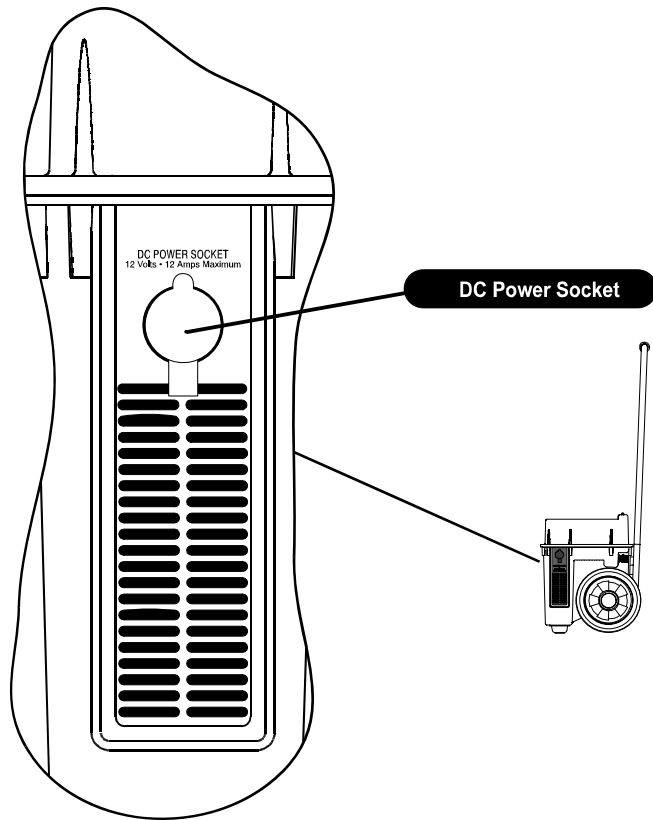


Figure 2-3 DC Power Panel

Important: The vents below the DC Power Socket should never be covered or blocked when XPower 1500 is used. These vents are essential for maintaining optimal performance.

High Power 12-volt DC Terminals

Referenced in Figure 6 below, the High Power DC Terminals are wired directly to XPower 1500's battery pack and supply power for jump-starting a vehicle. See "Vehicle or Boat Engine Starting" on page 2-14 for details. These terminals also can be used to connect an external battery, which can increase XPower 1500's total battery capacity and extend operating times. See "Connecting to an External Battery" on page 2-20 for details.

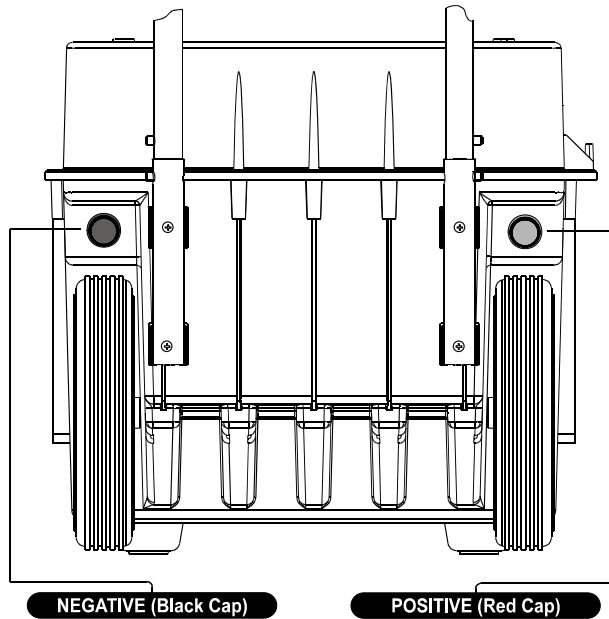


Figure 2-4 High Power 12-volt DC Terminals

Powering 115-volt AC Products

XPower 1500 is capable of powering most 115-volt AC products and equipment that use 1350 watts or less. Its AC output waveform, called a “quasi-sine wave” or “modified sine wave”, is designed to function similarly to the sine wave shape of utility power.



CAUTION: Equipment damage

Do not use XPower 1500 with the following equipment:

- Small battery operated products such as rechargeable flashlights, some rechargeable shavers, and night-lights that are plugged directly into an AC receptacle to recharge.
- Certain battery chargers for battery packs used in hand power tools. These chargers sometimes have a warning label stating that dangerous voltages are present at the charger’s battery terminals. Check with the manufacturer of the power tool to verify whether the battery charger supplied with the tool should be used with XPower 1500.

The power, or “wattage”, rating of AC products is the power they use. During the first moments after they are switched on, many products such as power tools or pumps, consume much more power than their average rating. Although XPower 1500 can supply momentary surge power greater than 1350 watts, some products may exceed its capabilities and trigger the inverter’s safety overload shutdown circuit. See “Automatic Protection: Overload, Overheating, and Low Battery” in this section for the reset procedure. If this problem occurs when attempting to operate several products at the same time, try first switching on the AC Outlets with all products switched off, then one by one switch each on, starting with the high surge product first.

Connecting Your AC Products

The following steps assume you have fully charged XPower 1500’s battery pack. See “Recharging XPower 1500” on page 2–16.

1. Turn on the AC Outlets Switch located on the AC Power Panel. The green POWER light illuminates to confirm AC power is now on and available at the two AC Outlets. See Figure 2-1, “AC Power Panel” on page 2–5.
2. Plug the AC product you wish to operate into one of the two AC outlets and switch the product on. The product should operate normally, just as it would if plugged into a wall outlet at home.

-
3. While operating the AC product you can check the level of the battery as detailed in Figure 2-2, “Battery level Indicator” on page 2–6. This will tell you the approximate charge level of the battery and whether you are approaching the point when recharging is required.
 4. As the battery pack becomes nearly discharged, or “empty”, a low voltage warning will sound. This will give you time to shut down a computer, for example. If this warning is ignored, the inverter will switch off automatically a few minutes later to prevent battery damage. See below - Automatic Protection: Overload, Overheating and Low Battery for details.
 5. Fully recharge XPower 1500’s battery pack as soon as possible after each use. See “Recharging XPower 1500” on page 2–16.

Automatic Protection: Overload, Overheating, and Low Battery

XPower 1500 has built-in protection against output overload and from overheating. If an AC product rated higher than 1350 watts (or which draws excessive surge power at start up) is connected, or if the inverter exceeds a safe temperature, it will automatically shutdown. The green POWER light will go off and the red FAULT light will switch on. To reset, unplug the product and turn the AC Outlets Switch off for 5 seconds, then turn it back on. Normal operation should resume. If not, turn the AC Outlets Switch off again and allow XPower 1500 to cool for several minutes. While AC power is off, press the Battery Status Switch to make sure the charge level is sufficient.

If the battery pack is allowed to discharge excessively, damage may occur. To prevent this, XPower 1500 has a built-in audible warning that alerts you when the battery pack is nearly discharged and that recharging is needed. If this warning is ignored, XPower 1500 will automatically switch off the AC Outlets and the red FAULT light will illuminate when the battery pack reaches “empty”. The FAULT light will remain on until the AC Outlet’s Switch is turned off. Promptly recharge XPower 1500 to help maintain the internal battery pack. See “Recharging XPower 1500” on page 2–16.

Battery Operating Times

Below are typical AC products that may be operated by XPower 1500 with estimated operating times. See “Connecting to an External Battery” on page 2–20 for information about connecting to an external battery to increase operating time.

Operating times will vary depending on the battery charge level and the actual AC product being operated.

XPower 1500 will not continuously operate AC products rated at more than 1350 watts, such as air conditioners or motors over 12 amps.

AC Powered Products	Watts ¹	Hours ²
Radio	8	40 hrs
Portable stereo	20	19 hrs
13” TV-VCR	100	3 hrs 30 min
Fax machine ³	120	3 hrs
18 cu. ft. refrigerator ⁴	150	3 hrs
Computer with 15” monitor	200	1 hr 42 min
Hedge trimmer	230	1 hr 12 min
Circular saw (up to 12 amps) ⁵	900	15 min
Microwave oven	1000	10 min

- (1) Represents actual power consumption as measured on sample products.
- (2) Operating times assume a fully charged battery and may vary based on model/brand used.
- (3) Assumes continuous operation (send or receive).
- (4) Assumes 40% duty cycle.
- (5) Assumes continuous operation (blade engaged, but not cutting).

Powering 12-volt DC Accessories

Connecting 12-volt DC Accessories

XPower 1500 can operate any accessory that is intended to run from a vehicle's lighter socket. Simply insert the accessory's plug into the DC Power Socket on XPower 1500's DC Power Panel. XPower 1500's DC Power Socket will operate any 12-volt DC auto, marine or other 12-volt accessory that draws 12 amps or less. The following steps assume you have first fully charged XPower 1500's internal battery pack according to instructions in "Recharging XPower 1500" on page 2–16.

1. Plug the accessory into XPower 1500's DC Power Socket, and switch the accessory on (if required).
2. The 12-volt accessory will operate until the battery pack runs out of power. Refer to step 4 (below) to avoid battery damage due to excessive discharge.
3. If an accessory that draws more than 12 amps (or which has a short circuit defect) is connected, XPower 1500's internal circuit breaker will immediately switch off power to the accessory. If this occurs, unplug the accessory and the breaker will automatically reset after a few seconds.
4. Fully recharge XPower 1500's battery pack as soon as possible after each use.

Important: The DC Power Socket does not automatically switch off the load when the internal battery pack is discharged. To protect the battery pack against damage resulting from total discharge, turn the AC Outlets Switch ON, even when powering 12-volt accessories only. This will enable the XPower 1500's low battery alarm to warn you when the 12-volt accessory has nearly depleted the battery pack. The battery power used by XPower 1500 to monitor the internal battery voltage level is negligible.

Battery Operating Times

Below are typical DC accessories that may be operated by XPower 1500 with estimated operating times.

Operating times will vary depending on the battery charge level and the specific accessory being operated.

DC Powered Products	Watts ¹	Hours ²
Cellular telephone ³	6	85 hrs
Fluorescent light	8	62 hrs
Portable cooler	30	14 hrs
Tire inflator	100	3 hrs

- (1) Represents actual power consumption as measured on sample products.
- (2) Operating times assume fully charged battery pack and may vary based on model/brand used.
- (3) Represents talk time available from 34 recharge cycles.

Vehicle or Boat Engine Starting

Jump-starting Directly to the Battery

XPower 1500 may be used to jump-start a 12-volt vehicle or small boat engine using standard jump-start cables available from most auto parts stores.

Jump-starting causes very high current surges and possible sparking. Unless care is taken, the possibility of battery explosion exists. Read the safety warnings in the beginning of this Owner's Guide before proceeding, then follow these instructions exactly. Before proceeding, remove the Terminal Covers (rotate counter clockwise) and place them in XPower 1500's Accessory Storage Compartment.



WARNING: Shock hazard

Connect only in the following order and make sure the polarity is correct. The battery's positive terminal is identified as being larger in diameter than the negative terminal. In most vehicles it has a red wire connected to it. Do not proceed until you are sure you have identified the positive terminal.

1. Turn off the vehicle or boat ignition, and all accessories.
2. Engage the vehicle's park or emergency brake and place the transmission in park (automatic) or neutral (manual).
3. Purge the area where connections will be made of all fumes before making any connections.
4. Position XPower 1500 so that it is a convenient distance from the battery that supplies power to the engine you wish to start, but will not cause the jump-start cables to come in contact with any moving parts of the engine. If helpful, remove XPower 1500's handle to improve placement.
5. Connect the cable's red positive (+) clamp to the positive (+) terminal of the engine's battery.
6. Making sure the cables are clear of the engine's belts and fans, take the other end of the jump-start cables and connect the red positive (+) clamp to XPower 1500's positive High Power DC Terminal (red).

7. As far from the battery as possible, connect the cable's black negative (-) clamp to the engine block, cylinder head, or other stationary heavy metal part of the engine. Do not attach the black negative clamp to the engine's battery terminal.
8. Take the other end of the jump-start cables and connect the black negative (-) clamp to XPower 1500's negative High Power DC Terminal (black). You are now ready to start the engine.
9. If the vehicle fails to crank, disconnect the jump-start cables in reverse order of steps 5-8. Ensure that the contact areas are clean, then repeat steps 5 through 8.
10. After the vehicle is started and while the cables are still connected, it is a good idea to run the motor at fast idle for 5 minutes to fast-charge XPower 1500's battery pack. After recharging, remove the jump-start cables in the reverse order of steps 5-8.

Jump-starting via a Vehicle's Lighter Plug Socket

The following simple procedure is often sufficient to start a vehicle when its battery has sufficient power to "crank the engine" slightly, but not start it.

1. Connect your vehicle's cigarette lighter socket to XPower 1500's DC Power Socket using the DC Charging Cable. You may need to switch the ignition key to the "accessory" position to supply power to the lighter socket. Be sure to also turn off all accessories that may be running from the vehicle's battery.
2. Wait 15 minutes while XPower 1500 partially charges your vehicle's battery, then remove the DC Charging Cable before attempting to start the engine.
3. If your vehicle does not start, attempt to jump-start as described in the previous section - Jump-Starting Directly to the Battery.



CAUTION: Equipment damage

Do not attempt to start your vehicle while the DC Charging Cable is connected to the vehicle's 12-volt outlet or lighter socket. Remove the DC Charging Cable first, then start your vehicle. This will prevent the fuse protecting the vehicle's 12-volt outlet from blowing.

Recharging XPower 1500

Charging Options

These charging options are possible with XPower 1500:

- Charging with the fully automatic “plug-in-and-forget” AC Charger.
- Charging from your vehicle as you drive with the DC Charging Cable.
- Charging from a generator equipped with a 12-volt battery charging outlet.
- Charging from a solar panel.

Battery Self-discharge and Shelf Life

All rechargeable batteries gradually discharge when left standing. Periodic charging is necessary to maintain maximum battery capacity. The AC Charger supplied with XPower 1500 is designed to regulate the charging process, ensuring the battery pack is always fully charged, but never overcharged. To ensure safe recharging and maximum battery life, charge only with Xantrex supplied or approved products.



CAUTION: Risk of damage to battery

Due to inherent self-discharge, lead acid batteries must be charged at least every 3 months, especially in a warm environment. Leaving a battery in a discharged state, or not recharging every 3 months, risks permanent damage.



CAUTION: Risk of damage to battery

Do not attempt to recharge XPower 1500's battery if it is frozen. A frozen battery should be gradually warmed to 32°F (0°C) before charging.

Recharging with the AC Charger



CAUTION: Equipment damage or personal injury

Do not use XPower 1500 to operate any AC products or DC accessories while charging with the AC Charger. Do not use XPower 1500's AC Charger to recharge nickel-cadmium or dry-cell batteries commonly used with home appliances and electronic equipment. These batteries may burst and cause personal injury or damage property. See the AC Charger Owner's Guide enclosed for additional safety related information.

XPower 1500's 5-amp AC Charger offers the convenience of "plug-in-and-forget" recharging. To use the AC Charger, follow these steps:

1. Disconnect any 12-volt DC accessories and turn the AC Outlets Switch off.
2. Plug the other end of the AC Charger into a standard 115-volt AC receptacle.
3. Insert the DC plug end into the DC Power Socket.
4. Switch the AC Charger ON. Switch is located on the AC Charger's end panel.
5. As XPower 1500 charges, the Recharge Indicator on the AC Charger will illuminate amber. A full recharge will take up to 15 hours.
6. When fully charged, the Recharge Indicator on the AC Charger changes to green and XPower 1500 is ready to use.
7. Once XPower 1500 is fully charged, charging voltage and current automatically reduce to a low maintenance level and XPower 1500 may be left permanently connected to its AC Charger. Should your utility power be interrupted, the charging process will automatically restart when power returns.
8. If the Recharge Indicator on the AC Charger illuminates red, disconnect the AC Charger from the AC outlet and from XPower 1500 immediately. Red illumination indicates a short circuit condition in the output cable / DC plug (the section from the AC Charger to XPower 1500) or a possible defect in the DC Power Socket. Should this occur, contact Xantrex Customer Service for assistance. See Section 12 for details.

-
9. After the AC Charger is turned off or disconnected from an AC outlet, the Recharge Indicator may continue to illuminate for a brief period. This is normal and occurs because of the residual electrical energy that is stored in the AC Charger's circuitry.

Note: Battery Level Indicator readings will not be accurate until the batteries have “rested” for 15 minutes after charging.

Recharging from your Vehicle

Using the DC Charging Cable, XPower 1500 can be recharged as you drive. Simply plug either end of the DC Charging Cable into XPower 1500's DC Power Socket, and the other end into the vehicle's cigarette lighter socket or 12-volt accessory outlet. With the motor running, the battery pack will be fully charged in 6 to 8 hours.

When using the DC Charging Cable there is no automatic charge regulation; however, most vehicle voltage regulators will ensure XPower 1500 is not overcharged. This charging method must not be used with vehicles having abnormally high voltage systems that operate above 15 volts DC.

Disconnect the DC Charging Cable at both ends once XPower 1500 is fully charged or when your vehicle's motor is not running. Do not leave XPower 1500 permanently connected to the vehicle's lighter socket or 12-volt accessory outlet.



CAUTION: Equipment damage

While XPower 1500 is being recharged with the DC Charging Cable from your vehicle, do not operate AC products over 120 watts from its AC outlets.

Recharging with a Generator's 12-volt DC Power Outlet

Recharging XPower 1500 from a generator using the AC Charger is possible, but could require extended generator running time before XPower 1500 is fully charged. Since many generators have an auxiliary regulated 12-volt DC output designed for charging 12-volt batteries, using this power source will result in a shorter recharge time. If the generator has a cigarette lighter style socket for its 12-volt output, follow the connection instructions above - Recharging From Your Vehicle.

Most of XPower 1500's capacity will be restored in about 6 to 8 hours when using a generator's regulated 12-volt DC output. Level of charge can be verified by checking the Battery Level Indicator 15 minutes after disconnecting the charging source.



CAUTION: Risk of damage to battery pack

The generator output must be intended for battery charging. An unregulated output or one that exceeds 15 volts DC can damage the battery pack.

Recharging with a Solar Panel

A 12-volt solar panel rated to produce a maximum of 12 amps can be used to charge XPower 1500 via the DC Power Socket. Once the solar panel's DC plug is inserted into the DC Power Socket and the solar panel is placed in the sun, XPower 1500 will charge automatically just as with the AC Charger. With direct sunlight, a typical 3 Amp solar panel will charge XPower 1500 in about 24 hours. If the solar panel does not have a regulated output, disconnect it immediately after XPower 1500 is charged.



CAUTION: Risk of damage to battery pack

A solar panel with an unregulated output left connected after charging is complete, or one with an output that exceeds 15 volts DC, can damage the battery pack.

Connecting to an External Battery

Extended Operating Time

Much longer battery operating time is possible when connecting XPower 1500 to an additional external battery. For example, an external 17 amp-hour battery will increase XPower 1500's operating time by about 33%. Since XPower 1500 uses three 17 amp-hour batteries, we recommend connecting one or more 17 amp-hour batteries externally when you want to increase operating time.



WARNING: Explosion hazard

Use a sealed, non-spillable battery for indoor use. Common auto and marine batteries are not suitable for indoor use unless their fumes are vented outdoors.



WARNING: Chemical hazard

Battery acid is corrosive. Wear eye protection and protective clothing when working with batteries.

Preparing the Cables

To connect an external battery to XPower 1500 you will need two pieces of #2 AWG cable with appropriate connectors fastened to each end. Keep the length of each cable as short as possible, and when using #2 AWG cable, the length of each piece should not exceed 5 feet. One cable will be used to connect the positive (+) terminal of the external battery to XPower 1500's positive High Power DC Terminal (red cover), and the other cable will be used to connect the negative (-) terminal of the external battery to XPower 1500's negative High Power DC Terminal (black cover).

Remove 1/2" of insulation from the end of each cable. On one end of each cable attach a 5/16" ring terminal. On the opposite end of each cable attach a permanent type connector that is designed for connecting to the terminals of your external battery. Make sure all terminals are securely connected to the cable ends and check them any time the cables are used to connect the external battery to XPower 1500.

The cable and connectors specified above are typically available at RV, marine, or auto parts stores. When possible, we recommend purchasing one length of cable with red insulation and the other length of cable with black insulation. Use the red cable length to connect the positive terminals and the black length of cable to connect the negative terminals.



WARNING: Fire hazard

Do not connect an external battery to XPower 1500 using automotive jump-start cables or any other type of cables that are designed for making a temporary connection. These types of cables will not provide the secure connection required when operating AC products with high power requirements and their use can create a fire hazard.

Connecting the Cables



WARNING: Shock or fire hazard

Connect only in the following order and make sure the polarity is correct. The external battery's positive terminal may be identified with a (+) or may be larger in diameter than the negative terminal. The negative terminal may be identified with a (-). Do not connect any cables until you are sure you have identified the positive terminal.

Position the external battery on a stable and level surface close to XPower 1500. Then follow these steps to connect the cables from the external battery to XPower 1500:

1. Remove XPower 1500's Terminal Covers (rotate counter clockwise) and place them in the unit's Accessory Storage Compartment.
2. If you have one red cable and one black cable, attach the end of the red cable with the battery terminal connector to the positive (+) terminal of the external battery. If both cables are the same color, use red tape or another method to clearly mark which cable is positive and which cable is negative.
3. Use the red Terminal Cover to fasten the 5/16" ring type connector on the other end of the positive cable (red or marked positive) to XPower 1500's positive (+) High Power DC Terminal (red). Tighten the terminal cover firmly by hand, but do not over tighten.
4. Attach the end of the second cable (black or marked negative) with the battery terminal connector to the negative (-) terminal of the external battery.

-
5. Use the black Terminal Cover to fasten the 5/16” ring type connector on the other end of the negative (black or marked negative) cable to XPower 1500’s negative High Power DC Terminal (black). Again, tighten firmly, but do not over tighten.
 6. To disconnect the external battery, simply follow steps 2-5 in reverse order.

Important: Unless the external battery is a lead acid, 17 amp-hour, AGM design, it must be disconnected from XPower 1500 prior to recharging XPower 1500’s internal battery pack. The AC Charger and DC Charging Cable supplied should only be used to charge (a connected) external battery that has the same amp-hour rating and design as XPower 1500’s internal battery pack. If your external battery is not the type specified above, disconnect it from XPower 1500 and charge it with a separate battery charger.



WARNING: Personal injury

Disconnect the external battery prior to moving XPower 1500 to prevent damage to the connecting cables or the external battery, and to avoid possible injury to you or another person.

Battery Replacement

The batteries used in XPower 1500 are a high quality, state-of-the-art design that will serve as a reliable power source for years when properly maintained.

To maximize battery life it is important to recharge XPower 1500's battery pack after each use, recharge fully every three months if placed in storage, and store in a location that maintains a temperature range of 32° to 104°F (0° to 40°C). Also, discharging the battery pack below 10.0 volts will shorten its life.

Important: The battery pack is covered under warranty only when it is properly maintained.

Replacing XPower 1500's Internal Battery Pack

Before attempting to replace the battery pack, contact Xantrex Customer Service for specific instructions. See contact information in the front of this Owner's Guide. Provide Customer Service with the serial number of your unit (located under the lid of the Accessory Storage Compartment). If you do not know how to safely remove and install higher amperage batteries, have this task preformed by a qualified service technician.



WARNING: Personal injury

To avoid potentially serious injury, follow these precautions when working with batteries:

- Someone should be within range of your voice or close enough to come to your aid when you work near a lead-acid battery.
- Have plenty of fresh water and soap nearby in case battery acid contacts skin, clothing, or eyes.
- Wear complete eye protection and clothing protection. Avoid touching your eyes while working near batteries.
- If battery acid contacts skin or clothing, wash immediately with soap and water. If acid enters your eye, immediately flood it with running cold water for at least twenty minutes and get medical attention.
- Keep a supply of baking soda on hand in the area of the batteries. Baking soda neutralizes lead-acid battery electrolyte.
- NEVER smoke or allow a spark or flame in vicinity of the engine or batteries.
- Be extra cautious to reduce the risk of dropping a metal tool on the battery. It might spark or short-circuit the battery or other electrical parts that may cause an explosion.
- Remove personal metal items such as rings, bracelets, necklaces, and watches when working with a lead-acid battery. When a short circuit is created, a lead-acid battery can produce a current high enough to weld a ring or the like to metal, causing a severe burn.

Obtaining a Battery Replacement

The internal battery pack in your XPower 1500 is either version A or version B as described below:

(A) Three separate 17 amp-hour batteries, each with a positive and negative terminal visible, connected in parallel with cables.

or

(B) A single 51 amp-hour battery pack with only one positive and one negative terminal showing. There are different options for battery replacement depending on which battery pack version is in your XPower 1500.

If your XPower 1500 has version A, replace the three existing batteries with three new, sealed, lead acid, AGM type batteries. In addition to the factory installed 17 amp-hour batteries, you may also use other approved batteries as listed below. These batteries are available in most areas from stores that specialize in higher amperage, deep cycle batteries.

To maximize run time, select a battery with the highest amp-hour rating. It is acceptable to use batteries with ratings of 18 or 21 amp-hours provided all three batteries have the same amp-hour rating. Do not install replacement batteries unless all are sealed, lead acid, AGM designs with the same amp-hour rating and with the same manufacturer's part number.

Important: If you do not know how to safely remove and install higher amperage batteries, have this task performed by a qualified service technician. See “Battery Replacement” on page 2–23 for safety information.

If your XPower 1500XPower 1500 has the version B battery pack, contact Xantrex Customer Service to purchase a replacement battery pack or for instructions that will enable you to use other types of approved batteries.

If you are not able to find replacement batteries in your area or wish to purchase a version B battery pack, note the serial number of your XPower 1500 (located under the Accessory Storage Compartment lid) and contact Xantrex Customer Service for assistance.

3

Troubleshooting

Chapter 3 will help you identify the source of most problems that can occur with the XPower 1500.

If you have a problem with the inverter, please review this chapter before contacting your dealer.

If you are unable to solve a problem and need to contact your dealer, record the details on the form “Information About Your System” on page WA-4.

Common Problems

Buzzing Sound in Audio Systems

Some inexpensive stereo systems and “boom-boxes” will emit a buzzing sound from their loudspeakers when operating from the AC output of XPower 1500. This is because the power supply in the equipment does not adequately filter the modified sine wave produced by XPower 1500. Unless the stereo can be operated directly from XPower 1500’s 12-volt DC Power Socket, the only solution is a sound system with a higher quality internal power filter.

Television Interference

XPower 1500 is shielded to minimize interference with TV signals. In some cases, particularly with weak TV signals, some interference may still be visible in the form of scrolling lines across the screen. In this case, take the following corrective measures:

1. Use an extension cord to position XPower 1500 as far away as possible from the television, antenna, and cables.
2. Adjust the orientation of XPower 1500, television, antenna, and cables to minimize interference.
3. Maximize TV signal strength by using a better antenna, and ensure a shielded antenna cable is used.

4. Try a different TV. Different models of TV sets vary greatly in their susceptibility to interference.

Troubleshooting Reference

Table 3-1 Troubleshooting Reference

Problem	Possible Cause	Solution
AC Product will not operate, red FAULT light is on.	Product rated more than 1350 W, safety overload circuit has tripped.	Use an AC product with a power rating less than 1350 W.
	Product rated less than 1350 W, high starting surge has tripped overload.	AC product may exceed XPower 1500's surge capability. Use an AC product with starting surge power within the unit's surge rating.
	Battery pack is discharged (alarm is sounding).	Turn off all AC and DC products and recharge battery pack.
	XPower 1500 has overheated due to poor ventilation.	Turn AC Outlets Switch OFF and allow unit to cool for 15 minutes. Remove objects covering ventilation areas, then restart.
Run time is less than expected.	XPower 1500 battery pack is not fully charged.	Recharge using AC charger until Recharge Indicator is green.
	AC product power consumption is higher than expected.	Check AC product power or "wattage" rating (or current draw for DC accessories) and compare with tables in "Battery Operating Times" on page 2-11.
Measured voltage at AC Outlets is too low.	Use of standard "average" reading AC voltmeter to read output voltage.	"Modified-sine wave" output of XPower 1500 requires "true RMS" reading meter, such as Fluke 87 series multimeter, for accurate measurement.
	Battery pack is almost "empty".	Check Battery Level Indicator and recharge battery pack as needed.
Charging light is OFF when AC Charger is connected.	No AC power at wall outlet.	Ensure power is available at wall outlet.

A

Specifications

Appendix A contains the mechanical and electrical specifications of the XPower 1500 Portable Household Power.

Specifications are subject to change without notice.

12-volt DC Section

Internal battery type	sealed lead acid, AGM
Internal battery voltage (nominal)	12 Vdc
Internal battery capacity	51 Ah
Maximum load current through 12-volt DC Power Socket (continuous)	12 A
DC Power Socket circuit breaker rating (internal, automatic reset)	12 A

115-volt AC Section

AC output voltage (nominal)	115 Vac
Maximum continuous AC output power	1350 W
AC output power (10 minutes)	1500 W
Maximum AC surge power	3000 W
AC output frequency	60 Hz \pm 4 Hz
AC output waveform	modified sine wave
Battery drain with no loads/outlets on	0.3 A
Operating/storage temperature	32°–104° F (0°–40° C)
Low battery alarm trigger point (nominal)	10.7 V
Low battery shutdown point (nominal)	10.0 V

Charging System

AC charger - bulk charging current (maximum)	5 A
Bulk charge to float charge transition voltage (peak charging voltage)	14.4 V
Float charge to bulk charge transition voltage (charge restart voltage)	13.6 V

Mechanical

Dimensions (L W H) without handle	15.6 × 12.3 × 14.5 in (39.5 × 31.3 × 37 cm)
Height (with handle)	38 in (96.5 cm)
Weight	53.5 lbs (24.3 kg)

Warranty and Return Information

Warranty

What does this warranty cover? This Limited Warranty is provided by Xantrex Technology Inc. ("Xantrex") and covers defects in workmanship and materials in your XPower 1500 Portable Household Power. This warranty period lasts for 12 months from the date of purchase at the point of sale to you, the original end user customer. You will be required to demonstrate proof of purchase to make warranty claims.

This Limited Warranty is transferable to subsequent owners but only for the unexpired portion of the Warranty Period. Subsequent owners also require original proof of purchase as described "What proof of purchase is required?"

What will Xantrex do? Xantrex will, at its option, repair or replace the defective product free of charge, provided that you notify Xantrex of the product defect within the Warranty Period, and provided that Xantrex through inspection establishes the existence of such a defect and that it is covered by this Limited Warranty.

Xantrex will, at its option, use new and/or reconditioned parts in performing warranty repair and building replacement products. Xantrex reserves the right to use parts or products of original or improved design in the repair or replacement. If Xantrex repairs or replaces a product, its warranty continues for the remaining portion of the original Warranty Period or 90 days from the date of the return shipment to the customer, whichever is greater. All replaced products and all parts removed from repaired products become the property of Xantrex.

Xantrex covers both parts and labor necessary to repair the product, and return shipment to the customer via a Xantrex-selected non-expedited surface freight within the contiguous United States and Canada. Alaska and Hawaii are excluded. Contact Xantrex Customer Service for details on freight policy for return shipments outside of the contiguous United States and Canada.

How do you get service? If your product requires troubleshooting or warranty service, contact your merchant. If you are unable to contact your merchant, or the merchant is unable to provide service, contact Xantrex directly at:

Telephone: 1 800 670 0707 (toll free North America)
1 408 987 6030 (direct)

Fax: 1 800 994 7828 (toll free North America)
1 360 925 5143 (direct)

Email: customerservice@xantrex.com

Direct returns may be performed according to the Xantrex Return Material Authorization Policy described in your product manual. For some products, Xantrex maintains a network of regional Authorized Service Centers. Call Xantrex or check our website to see if your product can be repaired at one of these facilities.

What proof of purchase is required? In any warranty claim, dated proof of purchase must accompany the product and the product must not have been disassembled or modified without prior written authorization by Xantrex.

Proof of purchase may be in any one of the following forms:

- The dated purchase receipt from the original purchase of the product at point of sale to the end user, or
- The dated dealer invoice or purchase receipt showing original equipment manufacturer (OEM) status, or
- The dated invoice or purchase receipt showing the product exchanged under warranty

What does this warranty not cover? This Limited Warranty does not cover normal wear and tear of the product or costs related to the removal, installation, or troubleshooting of the customer's electrical systems. This warranty does not apply to and Xantrex will not be responsible for any defect in or damage to:

- a) the product if it has been misused, neglected, improperly installed, physically damaged or altered, either internally or externally, or damaged from improper use or use in an unsuitable environment;
- b) the product if it has been subjected to fire, water, generalized corrosion, biological infestations, or input voltage that creates operating conditions beyond the maximum or minimum limits listed in the Xantrex product specifications including high input voltage from generators and lightning strikes;
- c) the product if repairs have been done to it other than by Xantrex or its authorized service centers (hereafter "ASCs");
- d) the product if it is used as a component part of a product expressly warranted by another manufacturer;
- e) the product if its original identification (trade-mark, serial number) markings have been defaced, altered, or removed.

Disclaimer

Product

THIS LIMITED WARRANTY IS THE SOLE AND EXCLUSIVE WARRANTY PROVIDED BY XANTREX IN CONNECTION WITH YOUR XANTREX PRODUCT AND IS, WHERE PERMITTED BY LAW, IN LIEU OF ALL OTHER WARRANTIES, CONDITIONS, GUARANTEES, REPRESENTATIONS, OBLIGATIONS AND LIABILITIES, EXPRESS OR IMPLIED, STATUTORY OR OTHERWISE IN CONNECTION WITH THE PRODUCT, HOWEVER ARISING (WHETHER BY CONTRACT, TORT, NEGLIGENCE, PRINCIPLES OF MANUFACTURER'S LIABILITY, OPERATION OF LAW, CONDUCT, STATEMENT OR OTHERWISE), INCLUDING WITHOUT RESTRICTION ANY IMPLIED WARRANTY OR CONDITION OF QUALITY, MERCHANTABILITY OR FITNESS FOR A PARTICULAR PURPOSE. ANY IMPLIED WARRANTY OF MERCHANTABILITY OR FITNESS FOR A PARTICULAR PURPOSE TO THE EXTENT REQUIRED UNDER APPLICABLE LAW TO APPLY TO THE PRODUCT SHALL BE LIMITED IN DURATION TO THE PERIOD STIPULATED UNDER THIS LIMITED WARRANTY.

IN NO EVENT WILL XANTREX BE LIABLE FOR ANY SPECIAL, INDIRECT, INCIDENTAL OR CONSEQUENTIAL DAMAGES, LOSSES, COSTS OR EXPENSES HOWEVER ARISING WHETHER IN CONTRACT OR TORT INCLUDING WITHOUT RESTRICTION ANY ECONOMIC LOSSES OF ANY KIND, ANY LOSS OR DAMAGE TO PROPERTY, ANY PERSONAL INJURY, ANY DAMAGE OR INJURY ARISING FROM OR AS A RESULT OF MISUSE OR ABUSE, OR THE INCORRECT INSTALLATION, INTEGRATION OR OPERATION OF THE PRODUCT.

Exclusions

If this product is a consumer product, federal law does not allow an exclusion of implied warranties. To the extent you are entitled to implied warranties under federal law, to the extent permitted by applicable law they are limited to the duration of this Limited Warranty. Some states and provinces do not allow limitations or exclusions on implied warranties or on the duration of an implied warranty or on the limitation or exclusion of incidental or consequential damages, so the above limitation(s) or exclusion(s) may not apply to you. This Limited Warranty gives you specific legal rights. You may have other rights which may vary from state to state or province to province.

Return Material Authorization Policy

Before returning a product directly to Xantrex you must obtain a Return Material Authorization (RMA) number and the correct factory "Ship To" address. Products must also be shipped prepaid. Product shipments will be refused and returned at your expense if they are unauthorized, returned without an RMA number clearly marked on the outside of the shipping box, if they are shipped collect, or if they are shipped to the wrong location.

When you contact Xantrex to obtain service, please have your instruction manual ready for reference and be prepared to supply:

- The serial number of your product
- Information about the installation and use of the unit
- Information about the failure and/or reason for the return
- A copy of your dated proof of purchase

Record these details in "Information About Your System" on page WA-4.

Return Procedure

1. Package the unit safely, preferably using the original box and packing materials. Please ensure that your product is shipped fully insured in the original packaging or equivalent. This warranty will not apply where the product is damaged due to improper packaging.
2. Include the following:
 - The RMA number supplied by Xantrex Technology Inc. clearly marked on the outside of the box.
 - A return address where the unit can be shipped. Post office boxes are not acceptable.
 - A contact telephone number where you can be reached during work hours.
 - A brief description of the problem.
3. Ship the unit prepaid to the address provided by your Xantrex customer service representative.

If you are returning a product from outside of the USA or Canada In addition to the above, you **MUST** include return freight funds and are fully responsible for all documents, duties, tariffs, and deposits.

If you are returning a product to a Xantrex Authorized Service Center (ASC) A Xantrex return material authorization (RMA) number is not required. However, you must contact the ASC prior to returning the product or presenting the unit to verify any return procedures that may apply to that particular facility and that the ASC repairs this particular Xantrex product.

Out of Warranty Service

If the warranty period for your XPower 1500 Portable Household Power has expired, if the unit was damaged by misuse or incorrect installation, if other conditions of the warranty have not been met, or if no dated proof of purchase is available, your unit may be serviced or replaced for a flat fee.

To return your XPower 1500 Portable Household Power for out of warranty service, contact Xantrex Customer Service for a Return Material Authorization (RMA) number and follow the other steps outlined in “Return Procedure” on page WA-3.

Payment options such as credit card or money order will be explained by the Customer Service Representative. In cases where the minimum flat fee does not apply, as with incomplete units or units with excessive damage, an additional fee will be charged. If applicable, you will be contacted by Customer Service once your unit has been received.

Information About Your System

As soon as you open your XPower 1500 Portable Household Power package, record the following information and be sure to keep your proof of purchase.

Serial Number	_____	Product Number	802-1500
Purchased From	_____	Purchase Date	_____

If you need to contact Customer Service, please record the following details before calling. This information will help our representatives give you better service.

- p Description of indicators on AC panel _____
- p Appliances operating when problem occurred _____
- p Description of problem _____
- _____
- _____