

## Trolling Motor Mounted Transducer

530511-3\_A

### Thank You

Thank you for choosing Humminbird®, America's #1 name in fishfinders. Humminbird® has built its reputation by designing and manufacturing top-quality, thoroughly reliable marine equipment. Genuine Humminbird® accessories offer the opportunity to upgrade and expand the capabilities of your Humminbird® product.

**NOTE:** Your transducer may not look exactly like the transducer shown in the illustrations, but it will mount in exactly the same way.

Your Humminbird® accessory is designed for trouble-free use in even the harshest marine environment. In the unlikely event that your Humminbird® accessory does require repairs, we offer an exclusive Service Policy - free of charge during the first year after purchase, and available at a reasonable rate after the one-year period. For complete details, see the Warranty section included in this manual.

Contact our Customer Resource Center at either **1-800-633-1468** or visit our Web site at **humminbird.com**.

### Installation Overview

Following are instructions for the installation of this accessory. Before you start installation, we encourage you to read these instructions carefully in order to get the full benefit from your Humminbird® accessory.

If you find that any items are missing from your installation kit, call our Customer Resource Center at **1-800-633-1468** or visit our Web site at **humminbird.com**.

In addition to the hardware supplied with your transducer, you will need various hand tools.

### Installation

The trolling motor transducer is designed to mount on the trolling motor of your boat. All hardware needed for installation and operation of this Humminbird® accessory is either included with this accessory or came with your original transducer. The trolling motor mounted transducer allows you to gather sonar information from the point on the boat closest to where you are fishing. It is important that you properly orient the transducer housing in the direction of travel of the trolling motor, to ensure an accurate depiction of the terrain under your boat.

The trolling motor mounted transducer will fit any standard trolling motor housing. Some users install this transducer in conjunction with a switch so that the standard transducer can be used for high-speed operation, and the trolling motor transducer can be used while trolling.

### 1. Attaching the Transducer

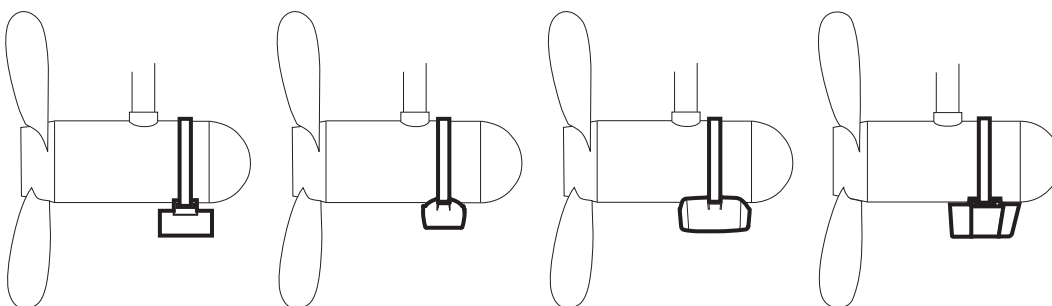
**WARNING!** Before attaching the transducer to the trolling motor, confirm that the motor is disconnected from all sources of electrical power.

**CAUTION!** Before attaching the transducer to the trolling motor, make sure the trolling motor is properly secured to the boat and will not shift during transducer installation.

1. Position the transducer on the underside of the motor housing. Refer to the illustration that most resembles your accessory, noting any requirements for directional bias.

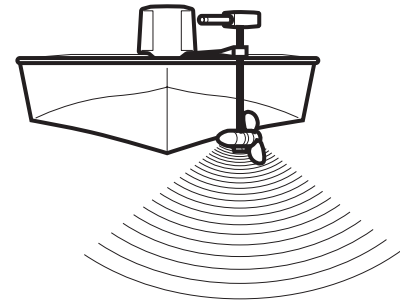
**NOTE:** Round, circular-bottomed transducers have no directional bias, and therefore orientation of these types of transducers is not as important. Rounded rectangular transducers, however, do have a directional bias, and must be installed as shown in the illustration.

#### Side View of the Transducer



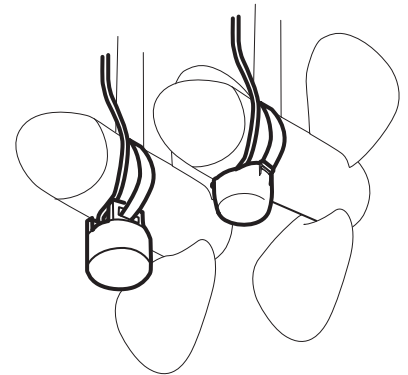
Transducer should be mounted forward of the motor shaft. Styles of transducer may differ from illustration.

#### Trolling Motor Mount Installation

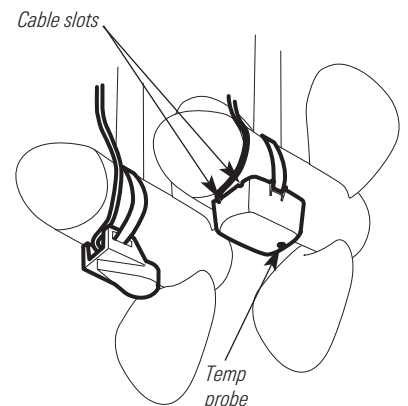


#### Attaching the Transducer to the Trolling Motor

**NOTE:** The transducers shown below have no directional bias.



**NOTE:** The transducers shown below have a directional bias, and therefore need to be oriented according to the illustration below.



## Trolling Motor Mounted Transducer

2. Insert the hose clamp through both openings on the top of the transducer and pull the two ends up around the motor housing. As you tighten the hose clamp, check to make sure that the transducer is properly aligned with the motor housing.
3. After tightening the hose clamp, make sure that the transducer is securely attached to the motor housing and will not slip off while in operation.

## 2. Routing the Cable

The transducer cable has a low profile connector which must be routed to the point where the control head is mounted. There are several ways to route the transducer cable to the area where the control head will be installed.

**NOTE:** Your boat may have a pre-existing wiring channel or conduit that you can use for the transducer cable.

1. Unplug the other end of the transducer cable from the control head. Make sure that the cable is long enough to accommodate the planned route.

**CAUTION!** Do not cut or shorten the transducer cable, and try not to damage the cable insulation. Route the cable as far as possible from any VHF radio antenna cables or tachometer cables to reduce the possibility of interference. If the cable is too short, extension cables are available to extend the transducer cable up to a total of 50' (15 m). For assistance, contact the Customer Resource Center at [humminbird.com](http://humminbird.com) or call 1-800-633-1468 for more information.

2. Route the transducer cable around the side of the motor housing and secure it to the motor shaft using the plastic cable ties which have been provided.

**NOTE:** As you route the cable from the trolling motor to the boat, be sure to leave sufficient slack in the cable to allow for full movement and retraction of the trolling motor during normal operation.

3. Route the transducer cable to the control head.

## 3. Connecting the Cable

Insert the transducer cable into the appropriate terminal slot. The cable connectors are labeled, and there are corresponding labels on the cable holder on the rear of the control head. The slots are keyed to prevent reversed installation, so be careful not to force the connector into the holder.

## 4. Test and Finish the Installation

When you have installed both the control head and the trolling motor transducer, and have routed all the cables, you must perform a final test to verify installation. Testing should be performed with the boat in the water, although you can initially confirm basic operation with the boat out of the water.

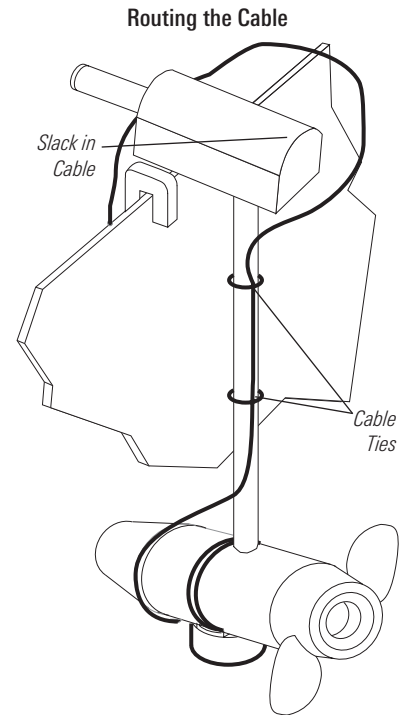
**NOTE:** Make sure the trolling motor is re-connected to the power source before performing this procedure.

1. Press POWER once to turn the control head on. If the unit does not power-up, make sure that the connector holder is fully seated in the receptacle and that power is available.
2. If all connections are correct and power is available, the Humminbird® control head will enter Normal operation.

**NOTE:** The transducer must be submerged in water for reliable transducer detection.

3. Make sure that the boat is in water greater than 2' but less than the depth capability of the unit, and that the transducer is fully submerged, since the sonar signal cannot pass through air. If the bottom is visible on-screen with a digital depth readout, the unit is working properly.

Your control head is now ready for operation.



## Trolling Motor Mounted Transducer

530511-3\_A

### Maintenance

If your boat remains in the water for long periods of time, algae and other marine growth can reduce the effectiveness of the transducer. Periodically clean the face of the transducer with hot water.

If your boat remains out of the water for a long period of time, it may take some time to wet the transducer after it is returned to the water. Small air bubbles can cling to the surface of the transducer and interfere with proper operation. These bubbles will dissipate with time, or you may wipe the face of the transducer with your fingers after the transducer is in the water.

### 1-Year Limited Warranty

We warrant the original retail purchaser that products made by Humminbird® have been manufactured free from defects in materials and workmanship. This warranty is effective for one year from the date of original retail purchase. Humminbird® products found to be defective and covered by this warranty will be replaced or repaired free of charge at Humminbird® option and returned to the customer freight prepaid. Humminbird® sole responsibility under this warranty is limited to the repair or replacement of a product that has been deemed defective by Humminbird®. Humminbird® is not responsible for charges connected with the removal of such product or reinstallation of replaced or repaired parts.

This warranty does not apply to a product that has been:

- Improperly installed;
- Used in an installation other than that recommended in the product installation and operation instructions;
- Damaged or has failed because of an accident or abnormal operation;
- Repaired or modified by entities other than Humminbird®.

Please retain your original receipt as a proof of the purchase date. This will be required for in-warranty service.

THIS WARRANTY IS EXPRESSLY IN LIEU OF ANY OTHER WARRANTIES, OBLIGATIONS OR LIABILITIES ON THE PART OF HUMMINBIRD® AND WILL BE THE CUSTOMER'S EXCLUSIVE REMEDY, EXCEPT FOR ANY APPLICABLE IMPLIED WARRANTIES UNDER STATE LAW WHICH ARE HEREBY LIMITED IN DURATION TO ONE YEAR FROM THE DATE OF ORIGINAL PURCHASE. IN NO EVENT WILL HUMMINBIRD® BE LIABLE FOR ANY INCIDENTAL OR CONSEQUENTIAL DAMAGES FOR BREACH OF ANY EXPRESS OR IMPLIED WARRANTY RELATING TO THE PRODUCTS.

Some states do not allow limitations on an implied warranty, or the exclusion of incidental or consequential damages, so the above exclusions may not apply to you. You may also have other rights, which vary from state to state.

### Humminbird® Service Policy

Even though you'll probably never need to take advantage of our incredible service policy, it's good to know that we back our products this confidently. We do it because you deserve the best. We will make every effort to repair your unit within three business days from the receipt of your unit at our factory. This does not include shipping time to and from our factory. Units received on Friday are typically shipped by the following Wednesday, units received Monday are typically shipped by Thursday, etc.

All repair work is performed by factory-trained technicians to meet exacting factory specifications. Factory-serviced units go through the same rigorous testing and quality control inspections as new production units.

After the original warranty period, a standard flat rate service charge will be assessed for each repair (physical damage and missing parts are not included). Any repairs made after the original warranty will be warranted for an additional 90 days after service has been performed by our factory technicians. You can contact our Customer Resource Center or visit our web site to verify the flat rate repair fee for your product (visit the Product Support section):

<http://www.humminbird.com>

We reserve the right to deem any product unserviceable when replacement parts are no longer available or impossible to obtain. This Service Policy is valid in the United States only. This applies only to Humminbird® products returned to our factory in Eufaula, Alabama. This Service Policy is subject to change without notice.

#### DOMESTIC (USA) CUSTOMERS:

#### PLEASE DO NOT RETURN THIS PRODUCT TO STORE FOR SERVICE

For all technical issues please call **1-800-633-1468**

or visit **humminbird.com**, click **SUPPORT**.

Please reference product serial number and model number when contacting Humminbird®.

## Trolling Motor Mounted Transducer

530511-3\_A

### Returning Your Unit for Service

Before sending your unit in for repair, please contact the factory, either by phone or by email, to obtain a Repair Authorization Number for your unit.

**NOTE:** Please do not return your Humminbird® to the store for service.

Please have your product model name and serial number available before calling the factory. If you contact the factory by e-mail, please include your product model name and serial number in the e-mail, and use Request for Repair Authorization Number for your e-mail subject header. You should include your Repair Authorization Number in all subsequent communications about your unit.

#### For IN-WARRANTY service, complete the following steps:

- Obtain a Repair Authorization Number from the Humminbird® Customer Resource Center.
- Tag product with your name, street address, phone number and your assigned Repair Authorization Number.
- Include a brief written description of the problem.
- Include a copy of your receipt (to show proof and date of purchase).
- Return product freight prepaid to Humminbird®, using an insured carrier with delivery confirmation.

#### For OUT-OF-WARRANTY service, complete the following steps:

- Obtain a Repair Authorization Number from the Humminbird® Customer Resource Center.
- Include payment in the form of credit card number and expiration date, money order or personal check. Please do not send cash.
- Tag product with your name, street address, phone number and your assigned Repair Authorization Number.
- Include a brief written description of the problem.
- Return product freight prepaid to Humminbird®, using an insured carrier with delivery confirmation.

### Contact Humminbird®

Contact the Humminbird® Customer Resource Center in any of the following ways:

#### By Telephone

(Monday - Friday 8:00 a.m. to 4:30 p.m. Central Standard Time):

**1-800-633-1468**

#### By e-mail

(typically we respond to your e-mail within three business days):

[service@humminbird.com](mailto:service@humminbird.com)

For direct shipping, our address is:

**Humminbird  
Service Department  
678 Humminbird Lane  
Eufaula, AL 36027 USA**

**WARNING!** This device should not be used as a navigational aid to prevent collision, grounding, boat damage, or personal injury. When the boat is moving, water depth may change too quickly to allow time for you to react. Always operate the boat at very slow speeds if you suspect shallow water or submerged objects.

**WARNING!** Disassembly and repair of this electronic unit should only be performed by authorized service personnel. Any modification of the serial number or attempt to repair the original equipment or accessories by unauthorized individuals will void the warranty.

**WARNING!** This product contains chemicals known to the State of California to cause cancer and/or reproductive harm.

**ENVIRONMENTAL COMPLIANCE STATEMENT:** It is the intention of Humminbird® to be a responsible corporate citizen, operating in compliance with known and applicable environmental regulations, and a good neighbor in the communities where we make or sell our products.

**WEEE DIRECTIVE:** EU Directive 2002/96/EC "Waste of Electrical and Electronic Equipment Directive (WEEE)" impacts most distributors, sellers, and manufacturers of consumer electronics in the European Union. The WEEE Directive requires the producer of consumer electronics to take responsibility for the management of waste from their products to achieve environmentally responsible disposal during the product life cycle.

WEEE compliance may not be required in your location for electrical & electronic equipment (EEE), nor may it be required for EEE designed and intended as fixed or temporary installation in transportation vehicles such as automobiles, aircraft, and boats. In some European Union member states, these vehicles are considered outside of the scope of the Directive, and EEE for those applications can be considered excluded from the WEEE Directive requirement.



This symbol (WEEE wheeie bin) on product indicates the product must not be disposed of with other household refuse. It must be disposed of and collected for recycling and recovery of waste EEE. Humminbird® will mark all EEE products in accordance with the WEEE Directive. It is our goal to comply in the collection, treatment, recovery, and environmentally sound disposal of those products; however, these requirements do vary within European Union member states. For more information about where you should dispose of your waste equipment for recycling and recovery and/or your European Union member state requirements, please contact your dealer or distributor from which your product was purchased.