



12-Volt Stainless 1-Mile Navigational Light

Without Wire Leads: 66320
With 7" Wire Leads: 66318, 66319

Attwood marine hardware, navigational lighting, bilge pumps, and other marine accessories are specified more than any other brand by America's best-known boat manufacturers as original equipment. Look to Attwood for quality replacement parts and marine accessories.

SAVE THESE INSTRUCTIONS

Form Number 69376 Rev. B

03-10

FEATURES

The Attwood 12-volt DC stainless steel one-mile navigational sidelights are designed for mounting on horizontal surfaces, such as the gunwale or deck. Meets USCG CFR 183.810, ABYC A-16 requirements, and all applicable standards as tested by ITS (ETL), 5/23/1995. 1 Nautical Mile visibility. Uses Lamp 9231, 12V, 8 Watt.

The housing is made of highly-polished stainless steel for corrosion resistance. The lens completely encapsulates the bulb and socket assembly for splash resistance. The lens rests on a rubber gasket, making these lights virtually waterproof when used with the optional base gasket.

REQUIRED FOR INSTALLATION

- #1 Phillips head screwdriver.
- Drill with suitable bits — 1/2" (13mm).
- Base gasket (Attwood # 910410) or marine sealant.
- Three #4 or #6 stainless steel pan head screws.

LOCATION

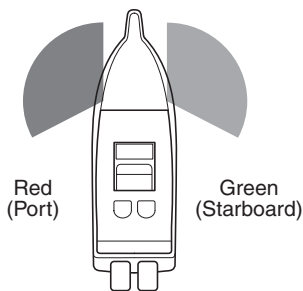
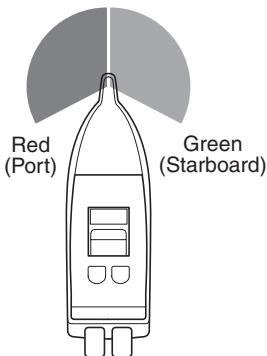
1. Be sure that sidelights shine straight ahead. Combination sidelight must be aligned on centerline (See Figure 1a), sidelights pairs must be parallel to centerline (See Figure 1b.)
2. Position light(s) on a horizontal surface ($\pm 5^\circ$) of the gunwale or deck. If installing a combination light, place it on the furthestmost tip of the bow on the centerline of the boat. (See Figure 1a.)

Sidelight pairs must be equal distance from the bow. The red lens must be on the port (left) and the green on the starboard (right) as you stand onboard facing the bow of the boat. (See Figure 1b.)

Figure 1a

Figure 1b

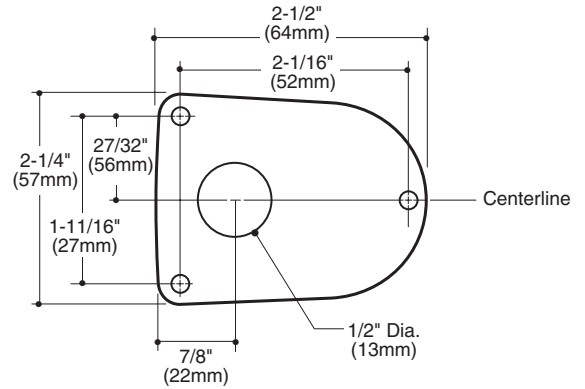
112.5° Arc Must Be Clear



3. Ensure that there are no front or side obstructions, such as rail stanchions, chocks, anchors, etc., within the arc of visibility (112.5° each side).

4. Measure and mark location of terminal clearance hole. Hole(s) must be on boat centerline for combination sidelight (66318, Figure 1a), or equal distance from bow for sidelight pairs (66320 and 66319, figure 1b.) Drill a 1/2" (13mm)-dia. hole. (See Figure 2.)

Figure 2



MOUNTING INSTRUCTIONS

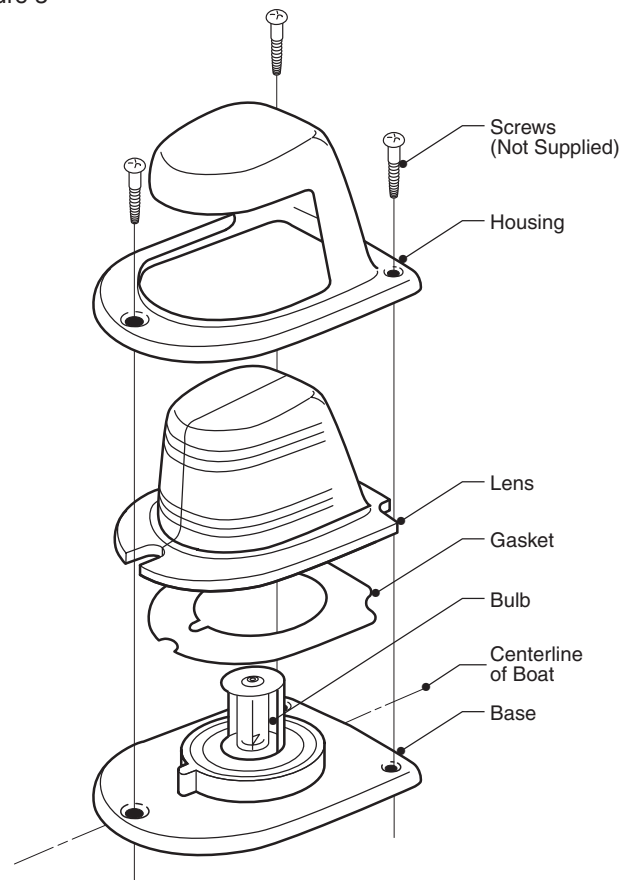
1. Place base into hole and align so that light(s) shine straight ahead. Use base to mark pilot holes for the mounting screws. Drill pilot holes.
2. Feed the power source leads up through the deck and attach to base terminals or wires. Insulated terminals are recommended.
3. Apply base gasket or sealant to the deck mounting area. Gasket is highly recommended on aluminum surfaces. Place gasket, then lens, and housing over the base.

CAUTION

Position carefully on aluminum boats so that wires do not contact the hull.

4. Insert mounting screws through housing and fasten into deck. (See Figure 3.)

Figure 3



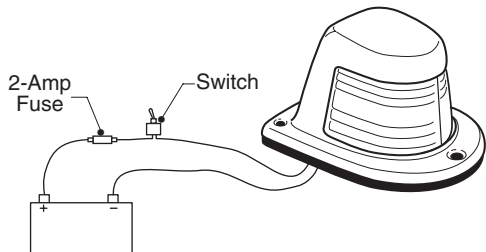
WIRING INSTRUCTIONS

The power source must be 12-volt DC ONLY. Use marine grade wire connectors only. Protect all connections with suitable materials.

NOTE: Failure to make proper connections and fuse the light properly will void the product warranty.

1. Connect one terminal to the negative (-) post of the 12-volt battery. Connect the other terminal to the positive (+) lead through a 2-amp fuse and suitable dash-mounted switch. (See Figure 4.)

Figure 4



2. Test lights for proper operation from dash-mounted control switch.

MAINTENANCE

Replace bulb, when necessary, with standard 8-watt automotive festoon type (Attwood #9231).

SAVE THESE INSTRUCTIONS

ATTWOOD LIMITED WARRANTY Attwood Corporation, 1016 North Monroe, Lowell, Michigan 49331 ("Attwood") warrants to the original consumer purchaser that Attwood brand products will be free from defects in materials and workmanship under normal use and service for one year from the date of original consumer purchases.

This limited warranty is not applicable if the product has been damaged by accident, improper installation, unreasonable or improper use, lack of proper maintenance, unauthorized repairs or modifications, normal wear and tear, or other causes not arising out of defects in materials or workmanship.

Attwood products are warranted for use on pleasure boats. Any other use—including but not limited to commercial, racing, or non-marine use—are not covered under this warranty. Attwood's obligation under this warranty is limited to repair of the product at Attwood's plant or replacement of the products at Attwood's option without expense to the original consumer purchaser. Any expenses involved in the removal, reinstallation or transportation of the product are not covered by this warranty.

The product must be returned to Attwood's plant at the address above, postage pre-paid, and insured with proof of original purchase including date.

If Attwood is unable to replace the product and repair is not commercially practical or cannot be timely made, or if the original consumer purchaser is willing to accept a refund in lieu of repair or replacement, Attwood may refund the purchase price, less an amount for depreciation. The acceptance by Attwood of any product returned or any refund provided by Attwood shall not be deemed an admission that the product is defective or in violation of any warranty. Products that are replaced or for which a refund is issued become the property of Attwood.

This warranty is Attwood's only expressed warranty of these products. No implied warranty including, without limitation, the implied warranties of merchantability and fitness for a particular purpose, shall be extended beyond the warranty period stated above for each product. Attwood shall not be liable for any damages, for loss of use of this product, nor for any other incidental or consequential damages, costs, or expenses.

Some states do not allow limitations on how long an implied warranty lasts or the exclusion or limitation of incidental or consequential damages, so the above limitations and exclusions may not apply to you. This warranty gives you specific legal rights, and you may have other rights which vary from state to state.