



extreme environment lighting

Nevis2

SKU: 101148

Color Output: White Dimming, Red Dimming

Finish: Brushed



Lumitec introduces another first: The world's FIRST two-color engine room light! With 30% more useable light than our successful original Nevis line, Nevis2's wide even beam illuminates even the furthest dark corners. Choose white with red for nighttime operation, or white with blue for color accent. Completely sealed - USCG recognized as ignition protected - perfect for engine rooms, mechanical spaces, and wet locations.

Voltage: 10 - 30vDC

12vDC Amps: 1.3A

24vDC Amps: 600mA

Correlated Color Temperature: 5000

Color Rendering Index: 70+

Rated Watts: 16

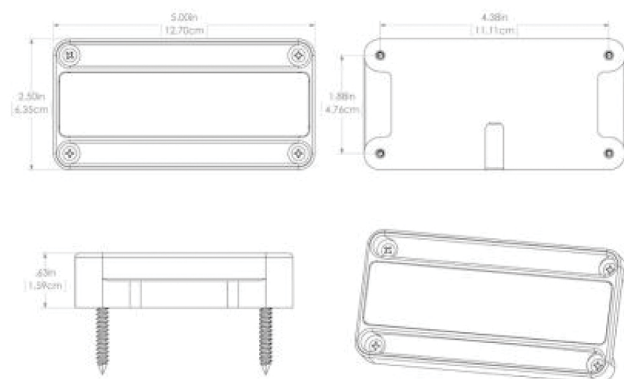
Lumens (White): 1000

Operating Temp (°C): -35 to +55 C

Operating Temp (°F): -31 to + 131 F

IP67 Compliant

Certified Ignition Protected



Dimensions: 5.00in (12.70cm) (W) x 2.50in (6.35cm) (H) x 0.63in (1.59cm) (D)

www.lumiteclighting.com | Phone: (561) 272-9840 | info@lumiteclighting.com