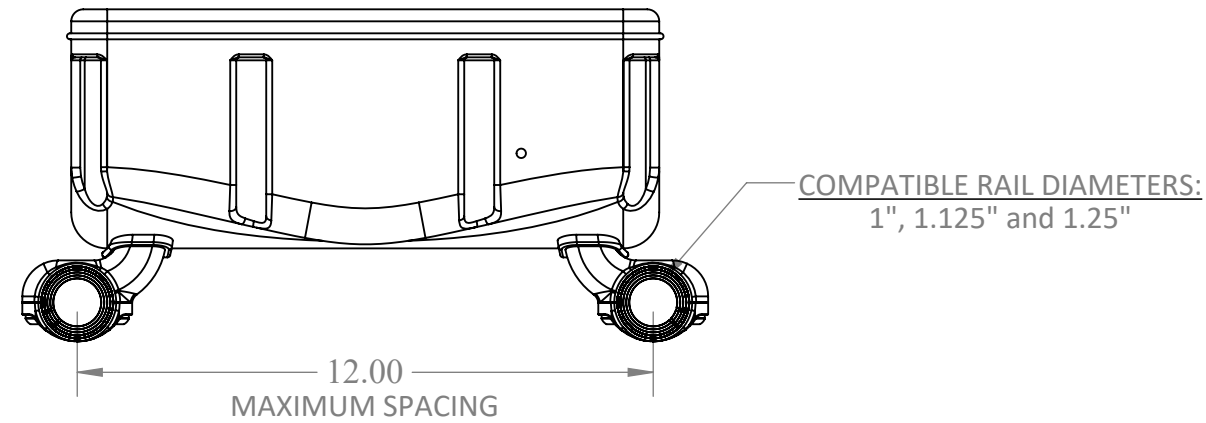
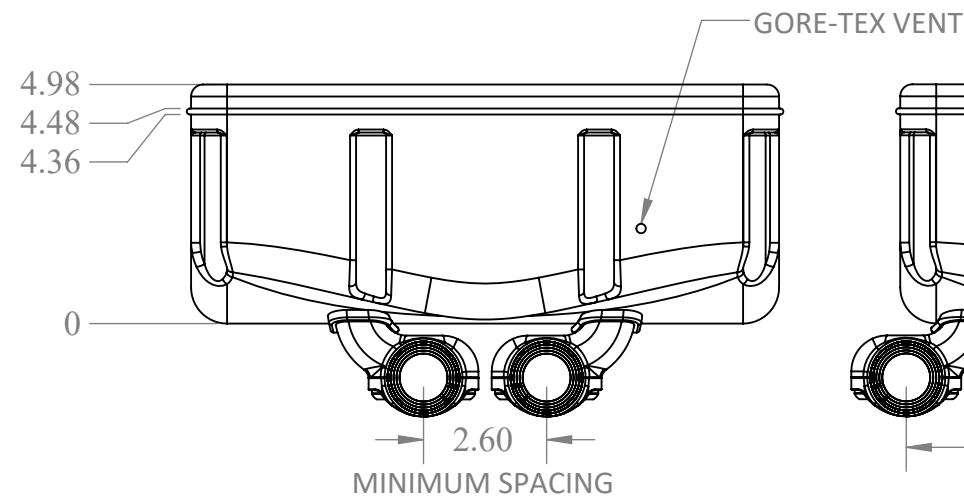
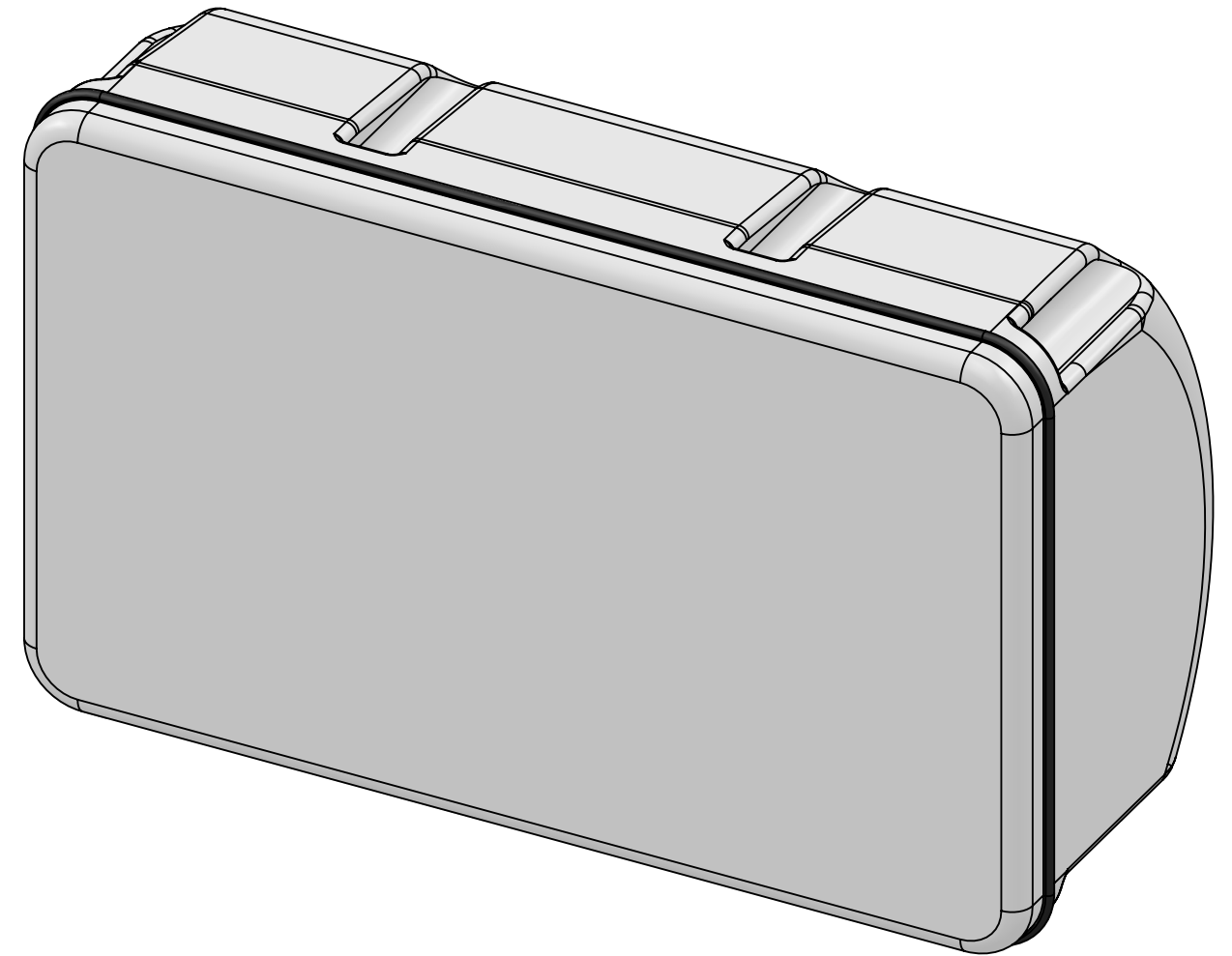
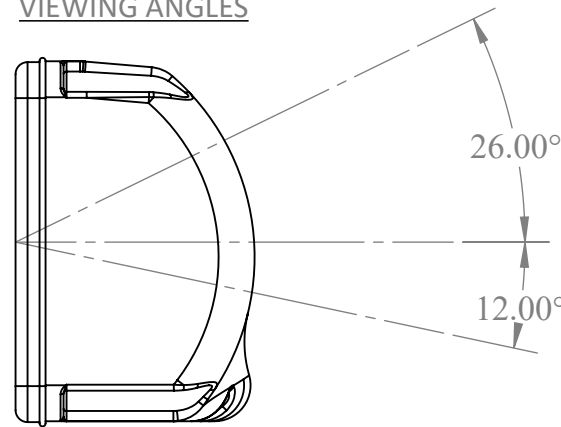


VIEWING ANGLES



SP2S

For help e-mail
info@seaviewglobal.com
 ph. 1-800-655-7922