



# Light Armor Underwater Lights

## HP & HPX Series

INSTALLATION INSTRUCTIONS  
69540 Rev. A

07/2014

### REQUIRED FOR INSTALLATION

- Screwdriver
- Appropriate switch and fuse
- Drill and bits:
  - 9/16 inch (1.43 cm) for wire clearance hole
  - 3/32 inch (2.38 mm) for mounting pilot holes
- Two #8 pan head stainless steel screws

### LOCATION

1. Lights are designed to be submersible and are for **underwater use only**. Lights are intended for surface mount.
2. Use template or measure and mark location for 9/16 inch wire clearance hole.  
**NOTE:** Whenever possible, lights should be installed a minimum of 10-inches below the waterline.

### DRILLING INSTRUCTIONS

1. Drill 9/16 inch (1.43 cm) hole for wire clearance.
2. Align light engine with the position you've drilled for the wire clearance hole (Figure 1).
3. Use the light engine or template to mark locations for the mounting screw pilot holes.  
**CAUTION:** Position wire clearance hole carefully on aluminum boat so that wires do not contact hull.
4. At the marked locations, drill two pilot holes for mounting screws. Drill to adequate depth for screw length.

### MOUNTING INSTRUCTIONS

1. Make wire connections according to the WIRING INSTRUCTIONS.
2. Using marine grade underwater sealant, seal around wire clearance hole and fasteners to prevent water intrusion. Only seal where indicated in Figure 2. **DO NOT** seal over back ridges since failure to comply will cause lights to overheat.
3. Add bezel to light assembly (if supplied).
4. Insert screws through bezel housing (if supplied) and light engine then fasten light to surface.

### WIRING INSTRUCTIONS

The power supply must be a 12-volt DC only. Use crimp-type marine grade connectors with suitable waterproof insulation. Protect all connections with suitable materials.

**NOTE:** Failure to make proper connections and fuse the light properly will void the product warranty

**CAUTION:** Polarity is important. If wiring is misconnected, the LED light will not operate.

1. Connect wires to fused power source (Figure 3).
2. Connect the (-) black wire to the negative (-) wire for each light from the 12-volt supply.
3. Connect the (+) white wire to the proper fuse switch.  
*See Fuse Recommendation for correct fuse size.*
4. Connect fused switch to the positive (+) 12-volt supply.

Fuse Recommendation:

HP	Amp	HPX	Amp
4.0	1	4.0	2
5.0	2	5.0	4
6.0	3	6.0	6

Figure 1

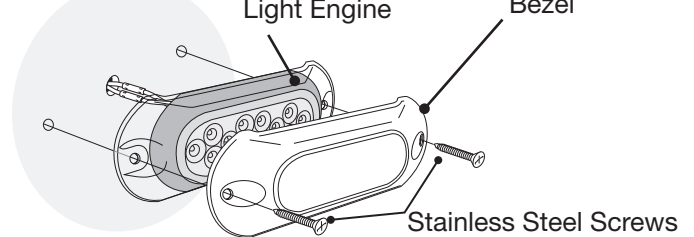


Figure 2

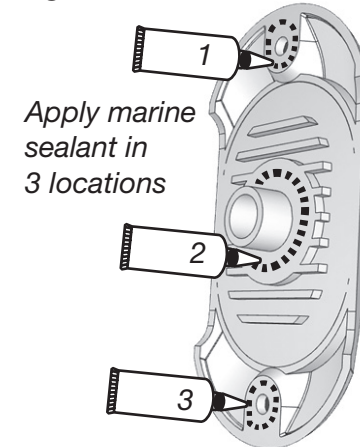
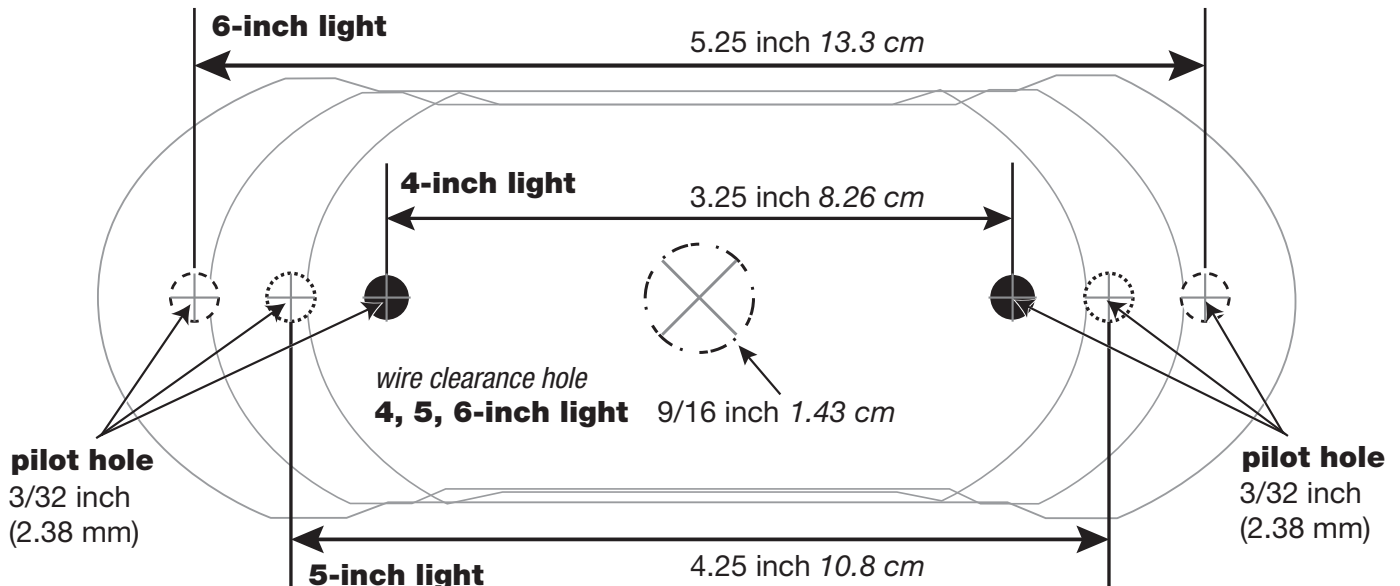
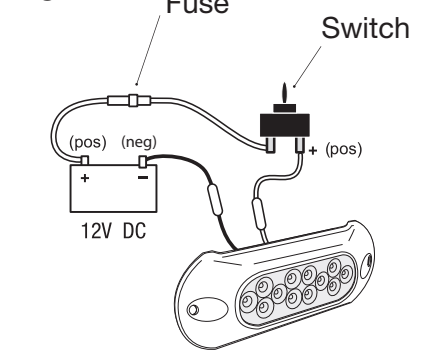


Figure 3



### ATTWOOD LIMITED 10-YEAR WARRANTY

This product carries a limited ten (10) year warranty. This is a non-serviceable (LED) light source, any attempt to open or service the light voids the warranty. See product catalog or attwoodmarine.com for details.