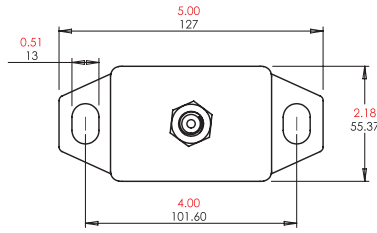
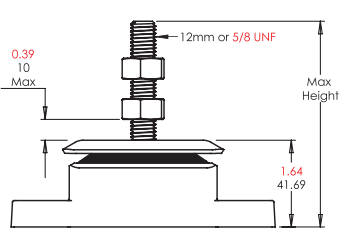


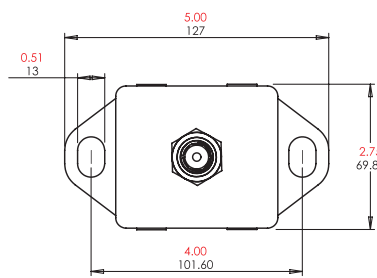
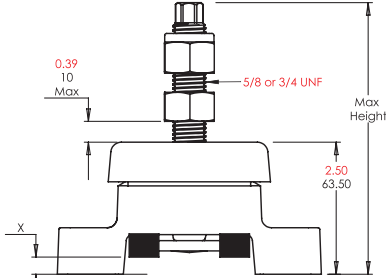
Rectangular Shear Mountings

The R & D Rectangular Shear Mountings offer low height with the best combination of stiffness. Soft vertically and at right angles to the crankshaft to isolate vibration, stiff fore and aft to take the propeller thrust.



This mounting has a low height giving good vibration isolation

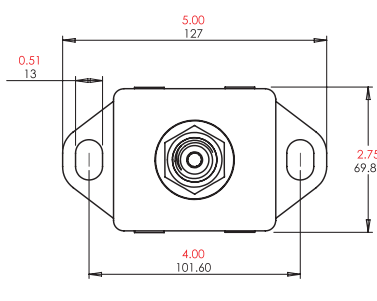
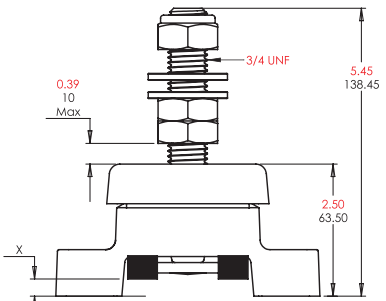
12mm Stud			5/8" Stud		
Part No	Capacity per mount		Part No	Capacity per mount	
	kg	lbs		kg	lbs
800-038	14-41	30-90	800-040	14-42	30-91
800-039	32-77	70-170	800-041	32-78	70-171
Mount Pre-loaded 1.8mm 0.07 inch					
Deflection 1.8-3.4mm 0.07-0.14 inch					
Height adjusting					
nut thickness : 10mm 0.39 inch			14mm 0.55 inch		
Maximum height: 99mm 3.9 inch			116mm 4.57 inch		



Fitted with an oil shield to protect the rubber

5/8" Stud			3/4" Stud		
Part No	Capacity per mount		Part No	Capacity per mount	
	kg	lbs		kg	lbs
800-037	23-80	50-175	800-020	36-106	80-231
800-010	36-105	80-230	800-021	55-187	120-411
800-011	55-186	120-410	800-022	114-256	250-561
800-012	114-255	250-560	800-023	136-310	300-681
800-014	136-309	300-680			
Mount Pre-loaded 2.3mm 0.09 inch					
Deflection 2.3-5.4mm 0.09-0.21 inch					
Height adjusting					
nut thickness : 14mm 0.55 inch			11mm 0.43 inch		
Maximum height: 137mm 5.38 inch			165mm 6.5 inch		

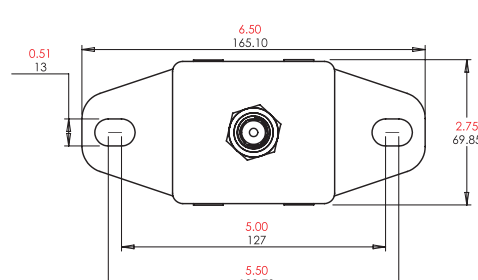
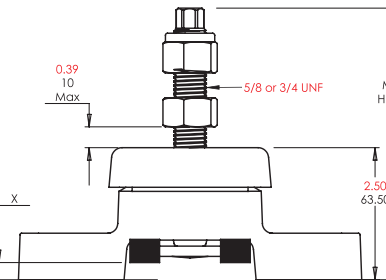
'X' Dimensions on initial installation should not be less than 3.8mm 0.15 inch



Fitted with an oil shield to protect the rubber

3/4" Stud		
Part No	Capacity per mount	
	kg	lbs
800-051	36-108	80-235
800-052	55-187	120-415
800-053	114-257	250-565
800-054	136-311	300-685
Mount Pre-loaded 2.3mm 0.09 inch		
Deflection 2.3-5.4mm 0.09-0.21 inch		
Height adjusting double nut and washer thickness		
25mm 0.97 inch		

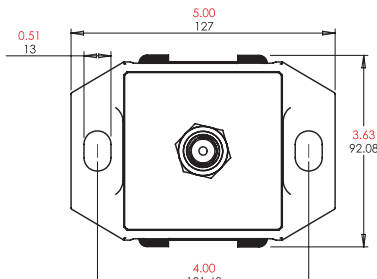
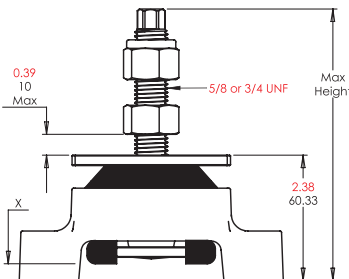
'X' Dimensions on initial installation should not be less than 3.8mm 0.15 inch



Fitted with an oil shield to protect the rubber

5/8" Stud			3/4" Stud		
Part No	Capacity per mount		Part No	Capacity per mount	
	kg	lbs		kg	lbs
800-062	23-81	50-176	800-028	36-107	80-233
800-024	36-106	80-232	800-029	55-188	120-413
800-025	55-187	120-412	800-030	114-257	250-563
800-026	114-256	250-562	800-031	136-311	300-683
800-027	136-310	300-682			
Mount Pre-loaded 2.3mm 0.09 inch					
Deflection 2.3-5.4mm 0.09-0.21 inch					
Height adjusting					
nut thickness: 14mm 0.55 inch			11mm 0.43 inch		
Maximum height: 137mm 5.38 inch			165mm 6.5 inch		

'X' Dimensions on initial installation should not be less than 3.8mm 0.15 inch

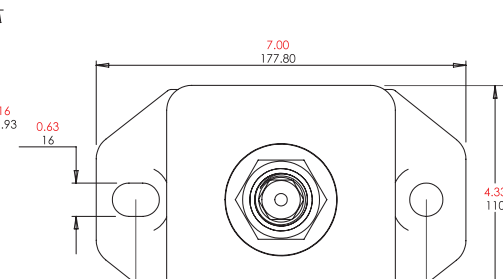
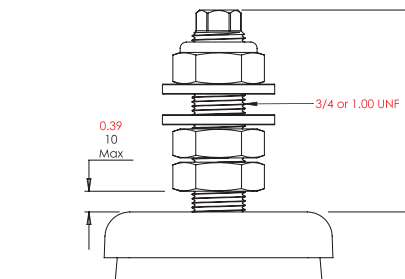


5/8" Stud

3/4" Stud

Part No	Capacity per mount		Part No	Capacity per mount	
	kg	lbs		kg	lbs
800-013	155-345	340-760	800-035	155-346	340-761
Mount Pre-loaded 2.3mm 0.09 inch					
Deflection 2.3-4.8mm 0.09-0.19 inch					
Height adjusting					
nut thickness: 14mm 0.55 inch			11mm 0.43 inch		
Maximum height: 137mm 5.38 inch			152mm 6.0 inch		

'X' Dimensions on initial installation should not be less than 3.8mm 0.15 inch



Fitted with an oil shield to protect the rubber

3/4" Stud

1" Stud

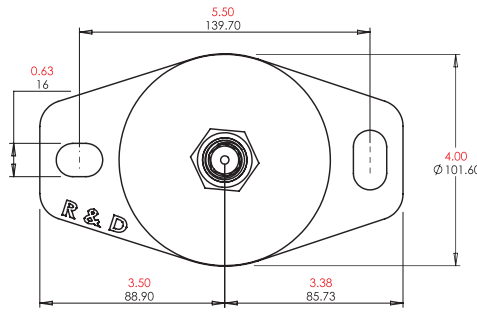
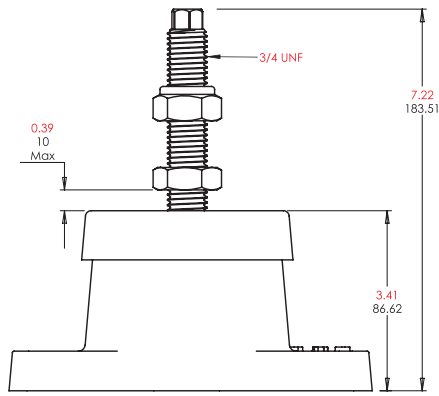
Part No	Capacity per mount		Part No	Capacity per mount	
	kg	lbs		kg	lbs
800-063	227-590	500-1300	800-066	227-591	500-1301
800-064	295-772	650-1700	800-067	295-773	650-1701
800-065	500-954	1100-2100	800-068	500-955	1100-2101
Mount Pre-loaded 3mm 0.12 inch					
Deflection 3-6.4mm 0.12-0.25 inch					
Height adjusting double nut & washer thickness (1" UNF Stud): 31.75mm 1.25"					
Height adjusting nut thickness (3/4 Stud): 16mm 0.63"					

'X' Dimensions on initial installation should not be less than 2.0mm 0.08 inch

Note:
3/4" UNF Engine Mounts
Supplied With Only 1 off Height Adjusting Nut And No Washers

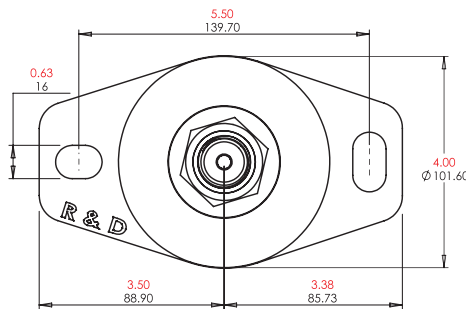
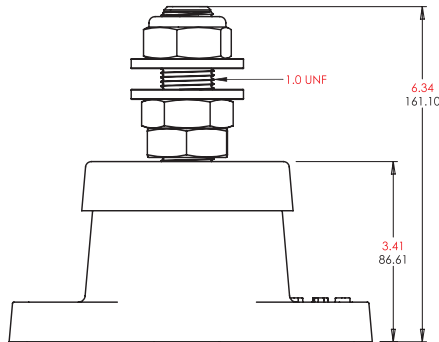
Units of measurement: Black Millimetres Red Inches

Circular Shear Mountings



This mounting is designed to give excellent vibration isolation and is fitted with an oil shield to protect the rubber

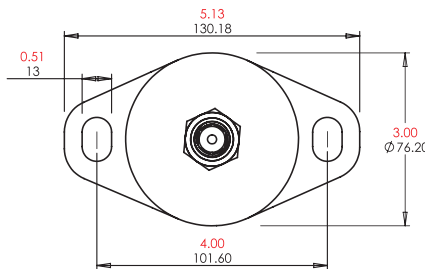
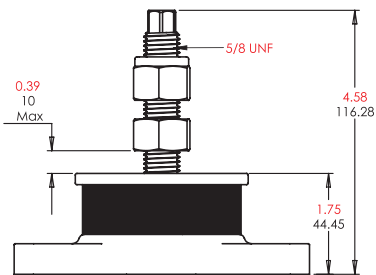
Part No	Capacity per mount	
	kg	lbs
800-015	228-546	500-1200
800-016	296-682	650-1500
800-017	400-910	880-2000
Mount Pre-loaded 3mm	0.12 inch	
Deflection 3-6.4mm	0.012-0.25 inch	
Height adjusting nut thickness 16mm	0.63 inch	



This mounting is designed to give excellent vibration isolation and is fitted with an oil shield to protect the rubber

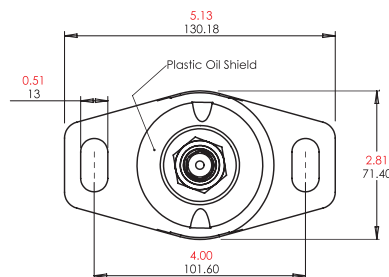
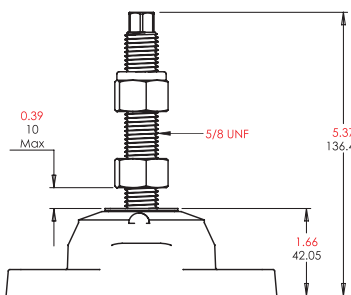
Part No	Capacity per mount	
	kg	lbs
800-055	228-546	500-1201
800-056	296-682	650-1501
800-057	400-910	880-2001
Mount Pre-loaded 3mm	0.12 inch	
Deflection 3-6.4mm	0.012-0.25 inch	
Height adjusting double nut and washer thickness 31.75mm	1.25 inch	

Compression Mountings



This is a low height mounting with minimum deflection

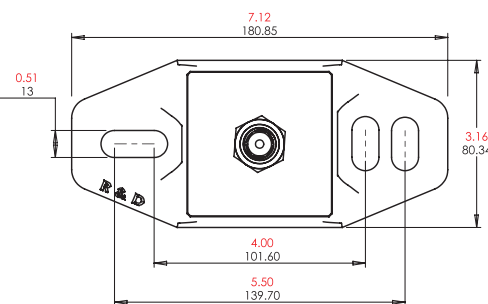
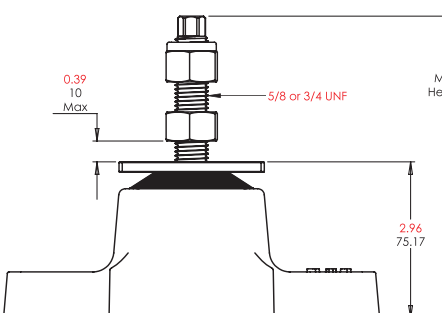
Part No	Capacity per mount	
	kg	lbs
800-003	45-82	100-180
800-004	73-168	160-370
800-005	145-227	320-500
Mount Pre-loaded 1.5mm	0.06 inch	
Deflection 2.3mm	0.09 inch	
Height adjusting nut thickness 14mm	0.55 inch	



This mounting is a competitive, low height medium capacity mount giving good engine control

Part No	Capacity per mount	
	kg	lbs
800-033	86	190
800-036	136	300
Deflection 1.65mm	0.065 inch	
Height adjusting nut thickness 14mm	0.55 inch	

Double Acting Mounting



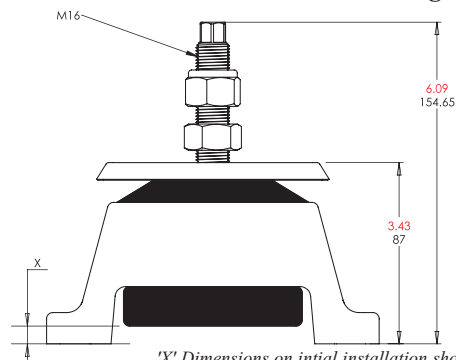
The Double Acting Shear Mount is a unique mounting incorporating 2 rubber elements which are pre-loaded against each other, giving excellent isolation together with good control on problem installations

Part No	Capacity per mount		Part No	Capacity per mount	
	kg	lbs		kg	lbs
800-032	46-190	100-420	800-042	73-305	160-671
800-034	73-305	160-670			
Mount Pre-loaded 4.8mm	0.19 inch				
Deflection 4.8-7.6mm	0.19-0.30 inch				
Height adjusting nut thickness:	14mm	0.55 inch	11mm	0.43 inch	
Maximum height	153mm	6.0 inch	153mm	6.0 inch	

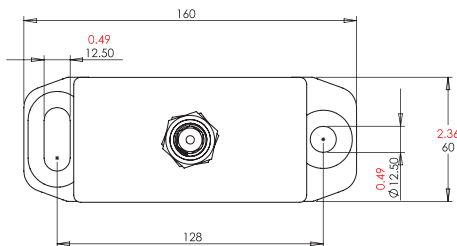
Engine Mounts For Small & Medium Sized Yanmar Engines

R & D Marine introduces new Engine Mounts to their comprehensive range.

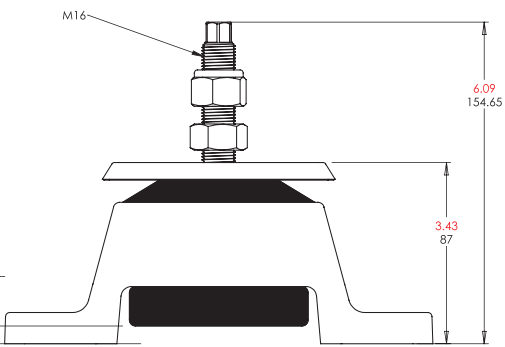
The mounting is designed to be a direct replacement for the Yanmar engine mounts: Y50, Y70, Y75, Y100, Y150 and Y200, with added features of being fail safe, working within controlled limits and able to withstand a roll-over test.



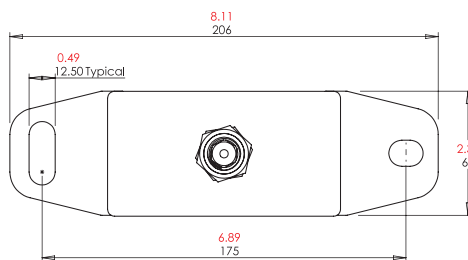
'X' Dimensions on initial installation should not be less than 2.5mm 0.10 inch



Part No	Capacity per mount kg lbs	Yanmar Reference
800-074	18-60 40-130	Y50, Y70
Mount Pre-loaded 2.3mm 0.09inch		
Deflection 2.3 - 8.5mm 0.09-0.335 inch		
Height adjusting nut thickness 12.7mm 0.50 inch		



'X' Dimensions on initial installation should not be less than 2.5mm 0.10 inch



Part No	Capacity per mount kg lbs	Yanmar Reference
800-070	18-60 40-130	Y75
800-071	23-73 50-160	Y100
800-072	28-109 60-240	Y150
800-073	32-146 70-320	Y200
Mount Pre-loaded 2.3mm 0.09inch		
Deflection 2.3 - 8.5mm 0.009-0.335 inch		
Height adjusting nut thickness 12.7mm 0.50 inch		

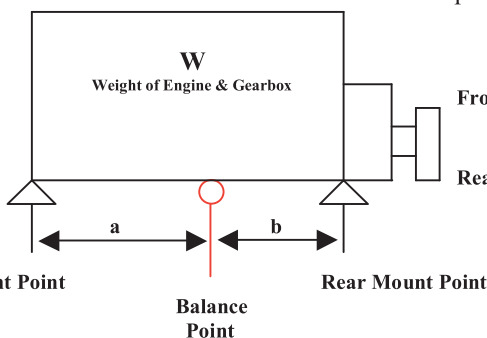
R & D Marine Engine Mountings

How to select (details required)

1. Engine type, number of cylinders
2. Type of gearbox and reduction ratio
3. Weight of engine and gearbox combined by weighing or manufacturers literature
4. Is flywheel in conventional place between the engine and gearbox
5. Position of engine mounting points
6. Find centre of gravity by balancing on a roller (if possible)

$$\text{Weight on each front mount} = \frac{W \times b}{2 \times (a+b)}$$

$$\text{Weight on each Rear Mount} = \frac{W \times a}{2 \times (a+b)}$$



Example: Total weight of engine and gearbox = 1200 lbs
Distance a (balance point to front mount) = 17 inches
Distance b (balance point to rear mount) = 14 inches

$$\text{Front mount} = \frac{1200 \times 14}{2 \times (17 + 14)} = 270 \text{ lbs per front mount}$$

$$\text{Rear Mount} = \frac{1200 \times 17}{2 \times (17 + 14)} = 329 \text{ lbs per rear mount}$$

7. If Centre of Gravity cannot be found, assume weight distribution of 60% on rear mounts, with 40% on front mounts. (if rear mount is in line with flywheel).

Type of Engine	Recommended Mounting Type				
	Double Acting	Small Compression	Compression	Small Shear	Medium & Large Shear
2 & 3 Cylinder Long Stroke	800-032, 034, 042	800-036	800-003, 4, 5		
1, 2 & 3 Cylinder Short Stroke High Speed		800-033, 036		800-038, 039 800-040, 041	800-010, 011, 037
4 Cylinder		800-033, 036	800-003, 4, 5		SHEAR MOUNTS See page 2
6 Cylinder and More			800-003, 4, 5		SHEAR MOUNTS See page 2

Installation Details

Maximum clearance between the underside of the height adjusting nut and top washer must not be more than 10mm. If more height is required use a spacer under the mounting casting. This applies to all mountings in the R & D Marine Range.

Units of measurement: Black Millimetres Red Inches



Meadow Works
Clothall Road, Baldock
Hertfordshire
England
SG7 6PD

Contact Us By:
Tel: +44 (0)1462 892391
Fax: +44 (0)1462 896448
Web Site: www.randdmarine.com
E mail: info@randdmarine.com

Designs are subject to constant review and improvement therefore we reserve the right to amend any dimension or detail specified or illustrated in this publication without notice and without incurring any obligation to provide such modification to products previously delivered.