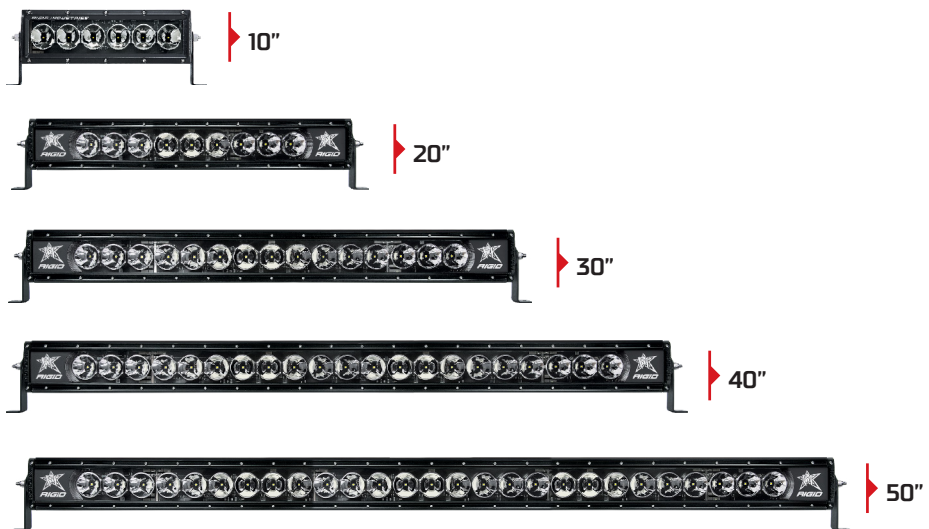




RIGID INDUSTRIES RADIANCE™

The all-new Rigid Industries' Radiance is the perfect solution for those who want Rigid's legendary quality at a level everyone can attain. The Radiance is built with the same high-grade aluminum alloy housing as our legendary E-Series, but that's where the visual similarities end. Inside, the Rigid Industries' Radiance is feature-packed, with a black exposed printed circuit board, optimized forward projecting Broad Spot optics which combine the attributes of a spot and flood beam pattern, and back-lighting available in white, amber, red, blue and green. Large back-lit Rigid branding plates further add to the unique look of the Radiance. The Rigid Industries' Radiance is for the customer who wants a truly custom look that only Rigid can provide. Available in 10" - 50" lengths, the Rigid Industries' Radiance is the perfect entry into Rigid Industries' performance LED lighting.



Available Back-Light Options



WHITE



BLUE



RED



GREEN



AMBER

A = LUX AT 10 METERS | B = DISTANCE (m) WITH 1 LUX | C = DISTANCE (m) WITH .25 LUX

SIZE	Weight (LBS)	watts	Amp Draw @ 14V	LEDs	*RAW Lumens	A	B	C	**Peak Beam Intensity (cd)
10"	5.6	61.8	4.42	6	3528	906	264	527	86520
20"	7.65	93.6	6.69	9	5292	1360	396	791	129780
30"	10.55	155.2	11.09	15	8820	2266	659	1318	216300
40"	13.61	217.06	15.5	21	12348	3172	923	1846	302820
50"	16.84	278.7	19.9	27	15876	4079	1187	2373	389340
WHITE PART #s		21000	22000	23000	24000	25000			
BLUE PART #s		21001	22001	23001	24001	25001			
RED PART #s		21002	22002	23002	24002	25002			
GREEN PART #s		21003	22003	23003	24003	25003			
AMBER PART #s		21004	22004	23004	24004	25004			

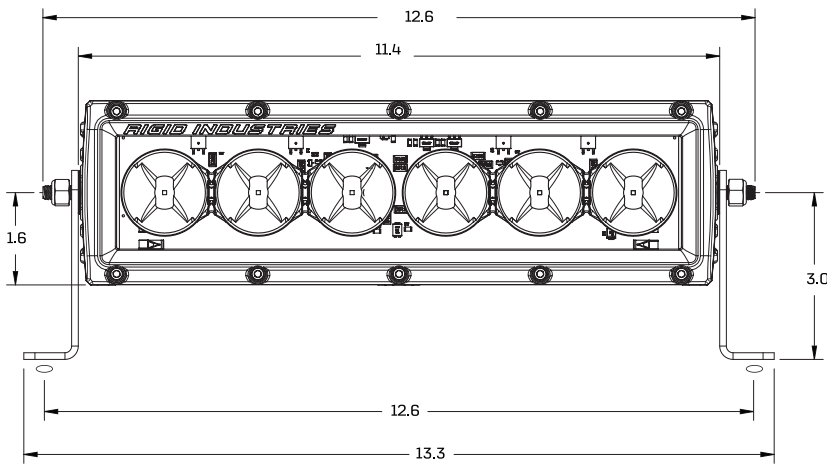
10 YEAR WARRANTY



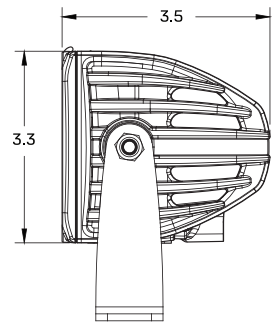
RIGID INDUSTRIES RADIANCE™



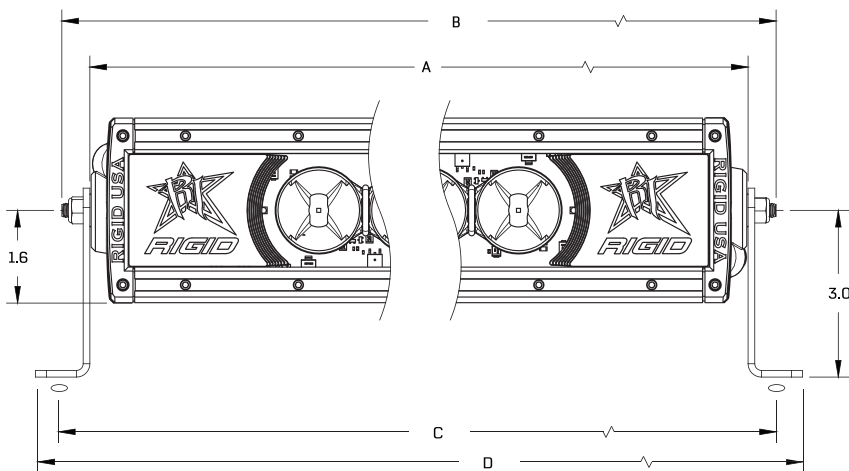
10"



10"-50"



20"-50"



20" - 50" Radiance				
	A	B	C	D
20" RADIANCE	21.5	23	22.75	24
30" RADIANCE	31.5	33	32.75	34
40" RADIANCE	41.5	43	42.75	44
50" RADIANCE	51.5	53	52.75	54

Available Back-Light Options



WHITE



BLUE



RED



GREEN



AMBER