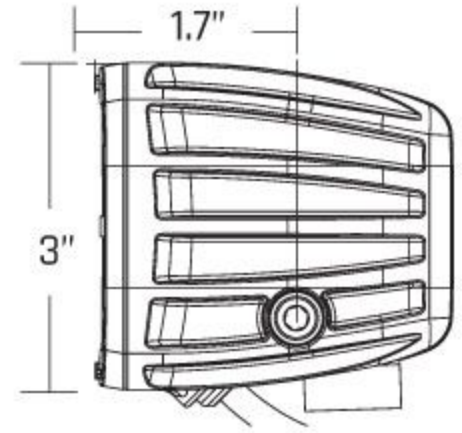
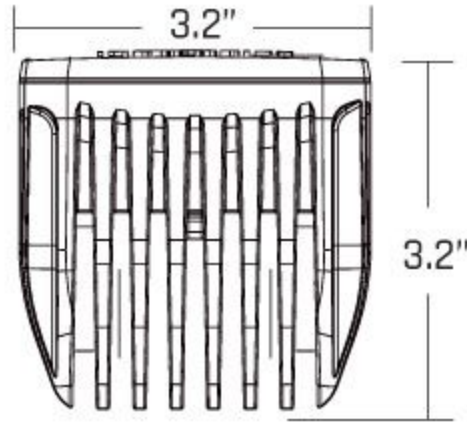
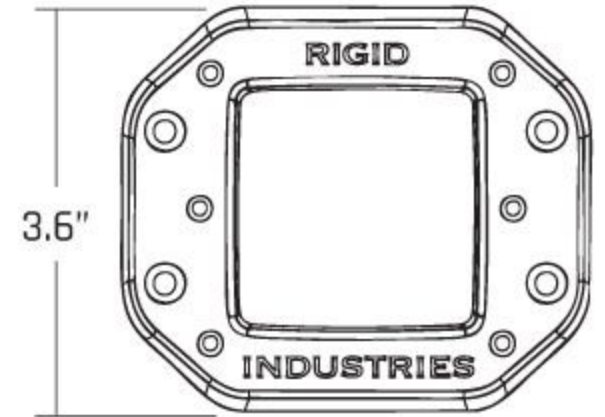
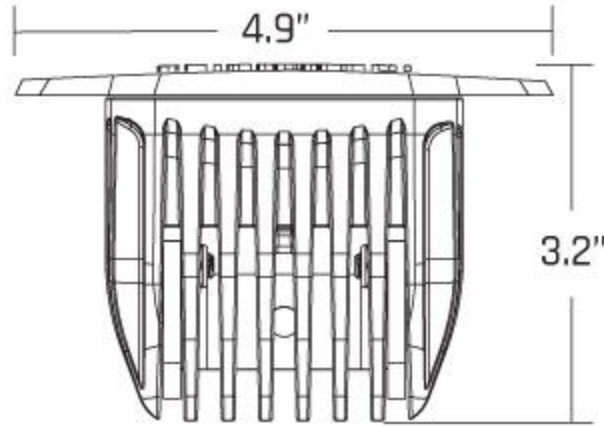


SURFACE MOUNT



FLUSH MOUNT



HEAVY DUTY MOUNT

