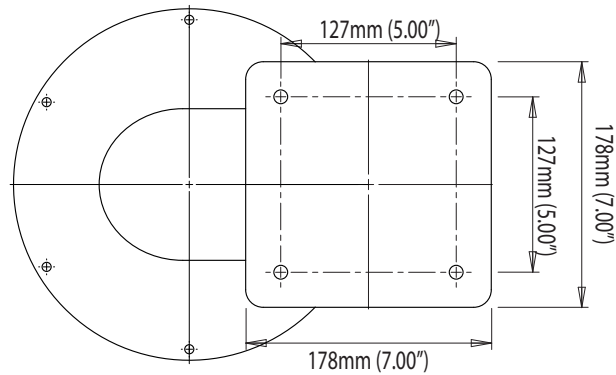
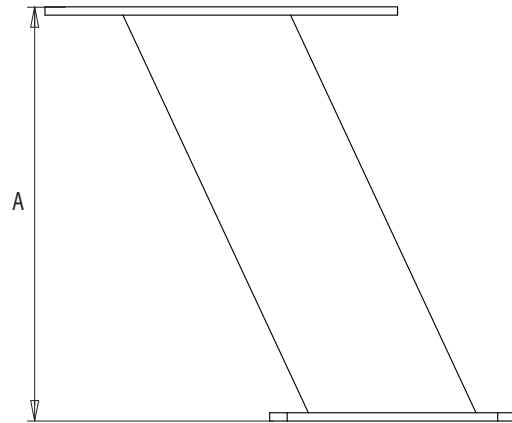
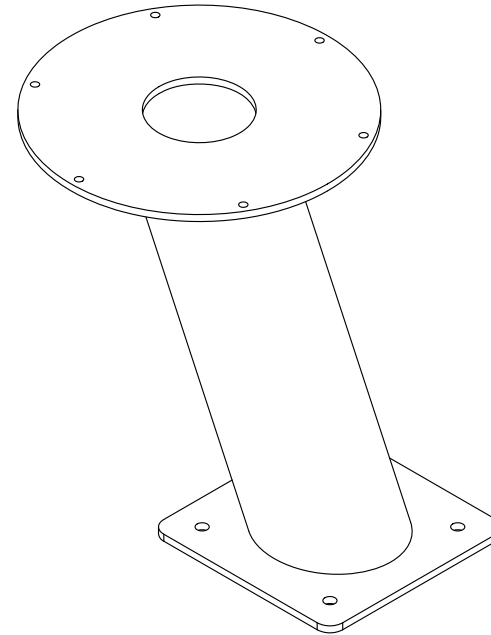
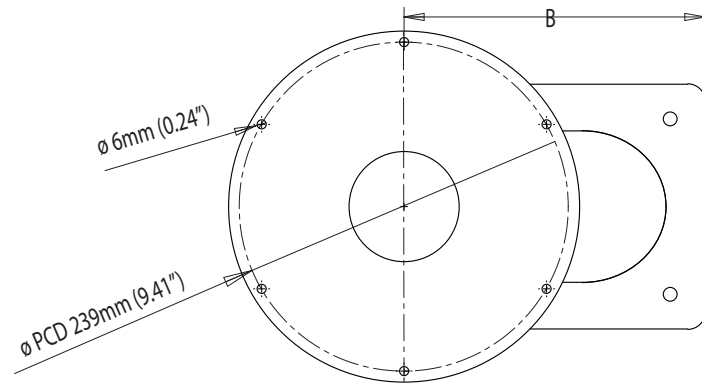


CAM-PT-150/300-03

Email: sales@scanstrut.com

Email: usasales@scanstrut.com



	A mm / inches	B mm / inches
CAM-PT-150-03	150/5.91	149/5.87
CAM-PT-300-03	300/11.81	219/8.62

SCANSTRUT