

MAGMA[®]

OWNER'S MANUAL

CROSSOVER SERIES

SINGLE FIREBOX

CO10-101



**ATTENTION: PLEASE READ THESE INSTRUCTIONS BEFORE INSTALLING OR OPERATING
AND RETAIN FOR FUTURE REFERENCE**

For questions regarding performance, assembly, operation, parts, or returns,
contact the experts at MAGMA
(562) 627-0500 | Weekdays 7AM-4PM PT
or email us at mail@magmaproducts.com

TABLE OF CONTENTS

- 1. Important Safety Information**
- 2. Important Safety Information (Cont.)**
- 3. Maintenance**
- 4. Parts & Assembly**
 - Product Overview & Replacement Parts**Installation Instructions**
 - Valve/Hose Installation
- 5. Operating Procedures**
 - Lighting Instructions
 - Manual Lighting Instructions
- 6. Operating Procedures**
 - Altitude Adjustment
 - Opening Handles for Table Support
 - Grease Container Removal
- 7. Product Registration**
Warranty Information

IMPORTANT SAFETY INFORMATION

READ ALL INSTRUCTIONS BEFORE OPERATING

This instruction manual contains important information necessary for the proper assembly and safe use of the appliance.

Read and follow all warnings and instructions before assembling and using the appliance.

Follow all warnings and instructions when using the appliance.

Keep this manual for future reference.



DANGER

If you smell gas:

- **Shut off gas to the appliance.**
- **Extinguish any open flame.**
- **Open lid.**
- **If odor continues, keep away from the appliance and immediately call your fire department.**

Failure to follow these instructions could result in fire or explosion which could cause property damage, personal injury or death.



DANGER

- **Never operate this appliance unattended.**
- **If a fire should occur, keep away from the appliance and immediately call your fire department. Do not attempt to extinguish an oil or a grease fire with water.**

Failure to follow these instructions could result in fire, explosion or burn hazard which could cause property damage, personal injury or death.

IF YOU SMELL GAS

1. Disconnect gas to the appliance.
2. Extinguish any open flame.
3. If odor continues, immediately leave the premises and call your gas supplier or local fire department.

SI VOUS SENTEZ DU GAZ

1. Fermer le gaz qui va à l'appareil.
2. Eteindre toute flamme.
3. Si l'odeur persiste, évacuer immédiatement les locaux et appeler la compagnie de gaz d'un téléphone voisin.

IMPORTANT SAFETY INFORMATION

READ ALL INSTRUCTIONS BEFORE OPERATING

FOR OUTDOOR USE ONLY

If stored indoors, detach hoses and leave fuel cylinder outdoors, with valve closed and plugged.

A UTILISER EN PLEIN AIR UNIQUEMENT

Si cet appareil est entreposé à l'intérieur, détacher les tuyaux et laisser le réservoir de gaz à l'extérieur avec les valves fermées et capuchonnées.

FUEL TYPE

This unit is designed for use with propane only. No other fuel is approved for use with this unit. For Natural Gas application, contact Magma.

TYPE DE CARBURANT

Cette unité est conçue pour être utilisée uniquement avec du propane. Aucun autre carburant n'est approuvé pour être utilisé avec cette unité. Pour une application au gaz naturel, contactez Magma.

FUEL CYLINDER

Always store fuel bottles in a safe outdoor area with valve closed and plugged. Follow the manufacturer's recommendation for proper use and storage of propane cylinders. Do Not Place Propane Cylinders Directly Under Any Part of the Burners.

RESERVOIR DE CARBURANT

Toujours entreposer les bouteilles de carburant dans un lieu sûr en plein air avec les valves fermées et capuchonnées. Suivre les recommandations du fabricant quant à l'utilisation et l'entreposage corrects des réservoirs de propane. Ne Pas Mettre Les Réservoirs De Propane Directement Sous Aucune Partie Des Brûleurs.

COMBUSTIBLE MATERIALS

During operation of cooker, ensure proper clearance from any combustible materials, in relation to the top, sides and back of cooking appliance. For outside use only. Do not use near flammable walls or under eaves or overhangs of homes or garages. Never leave unattended while hot or in use. Allow cooker to cool before take down and storage. The propane tank must always be stored outdoors in a well ventilated space. Never Stand or Lean Over Cooker Burner While Lighting.

MATERIAUX COMBUSTIBLES

Pendant l'utilisation de la cuisinière, s'assurer que tous les matériaux combustibles sont éloignés du haut, des côtés et de l'arrière de l'appareil de cuisson. A utilisation de plein air uniquement. Ne pas utiliser près de murs inflammables ou sous des avant-toits de maison ou de garage. Ne pas laisser sans surveillance quand elle est chaude on pendant son utilisation. Laisser la cuisinière refroidir avant de la démonter et de l'entreposer. Le réservoir de propane doit toujours être entreposé dehors dans un endroit bien ventilé. Ne Jamais Se Tenir Ou Se Pencher Au-dessus De La Cuisinière Pendant Son Allumage.

FOR YOUR SAFETY

Follow all safety, set-up, lighting and cooking instructions. Do not store or use gasoline or other flammable vapors and liquids in the vicinity of this or any other appliance.

POUR VOTRE SECURITE

Suivre toutes les instructions de securite, de montage, d'allumage et de cuisson. Ne pas entreposer ou utiliser de l'essence ou d'autres vapeurs inflammables dans la proximité de cet appareil ou autre.

CARBON MONOXIDE HAZARD

This appliance can produce carbon monoxide which has no odor. Using it in an enclosed space can kill you. Never use this appliance in an enclosed space such as a camper, tent, car or home.

MONOXYDE DE CARBONE

Cet appareil peut produire du monoxyde de carbone, un gaz inodore. L'utilisation de cet appareil dans des espaces clos peut entraîner la mort. Ne jamais utiliser cet appareil dans un espace clos comme un véhicule de camping, une tente, une automobile ou une maison.

PROP 65

WARNING: This product can expose you to chemicals including Chromium (hexavalent compounds), which are known to the State of California to cause cancer and birth defects or other reproductive harm. For more information go to: www.p65Warnings.ca.gov

The installation must conform with local codes or, in the absence of local codes, with the Storage and Handling of Liquefied Petroleum Gases, ANSI/NFPA 58; or Natural Gas and Propane Installation Code, CSA B149.1; Propane Storage and Handling, CSA B149.2

This appliance shall not be used in a building, garage, or any other enclosed area.

This appliance is not intended to be installed in or on a boat.

This appliance is not intended to be installed in or on a recreational vehicle.

IMPORTANT SAFETY INFORMATION

READ ALL INSTRUCTIONS BEFORE OPERATING

Clean and inspect the hose before each use of the appliance. If there is evidence of abrasion, wear, cuts, or leaks, the hose must be replaced prior to the appliance being put into operation. The replacement hose assembly shall be that specified by the manufacturer.

Keep the fuel supply hose away from any heated surface(s).

The appliance is not intended for commercial use.

The use of alcohol, prescription, or non-prescription drugs may impair the consumer's ability to properly assemble or safely operate the appliance.

In the event of rain, snow, hail, sleet, or other forms of precipitation while cooking with oil or grease, cover the cooking vessel immediately and turn off the appliance burners and gas supply. Do not attempt to move the appliance or cooking vessel.

Do not leave the appliance unattended. Keep children and pets away from the appliance at all times.

Do not place empty cooking vessel on the appliance while in operation. Use caution when placing anything in cooking vessel while the appliance is in operation.

Do not move the appliance when in use. Allow the cooking vessel to cool to 115°F (45 °C) before moving or storing.

This appliance is not intended for and should never be used as a heater.

This appliance will be hot during and after use. Use insulated oven mitts or gloves for protection from hot surfaces or splatter from cooking liquids.

Avoid bumping of or impact with the appliance to prevent spillage or splashing of hot cooking liquid.

Never drop food or accessories into hot cooking liquid. Lower food and accessories slowly into the cooking liquid in order to prevent splashing or overflow. When removing food from the appliance, care shall be taken to avoid burns from hot cooking liquids.

The appliance must be a minimum of 24 inches from the side or back to any combustible material when operating unit.

The appliance shall not be located or used under overhead unprotected combustible construction

MAINTENANCE

Keeping appliance area clear and free from combustible materials, gasoline, and other flammable vapors and liquids.

Not obstructing the flow of combustion and ventilation air.

Keeping the ventilation opening(s) of the cylinder enclosure free and clear from debris.

Checking and cleaning burner/venturi tubes for insects and insect nests. A clogged tube can lead to a fire beneath the appliance.



Normal flame should be all blue and look like its touching the burner at the bottom, with a minimal amount of yellow/orange. Too much yellow/orange indicates that there is not enough primary oxygen, and the adjuster should be raised towards the high altitude position. If flame its blue and "roaring" with the base looking like it's raised off of the burner then you have too much primary oxygen. The adjuster should be moved towards sea level/lower altitude.

The LP gas supply cylinder to be used must be constructed and marked in accordance with the specifications for LP gas cylinders, U.S. Department of Transportation (DOT) or the Standard for Cylinders, Spheres and Tubes for the Transportation of Dangerous Goods, CAN/CSA-B339.

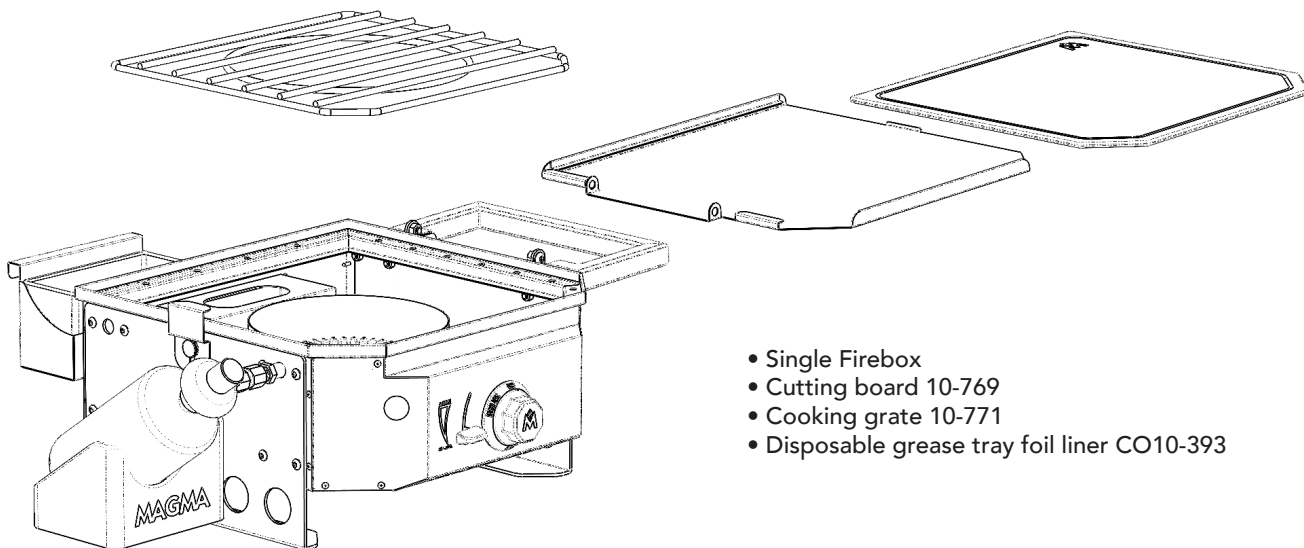
The pressure regulator and hose assembly supplied with the appliance must be used. Replacement pressure regulators and hose assemblies shall be those specified by the appliance manufacturer.

The cylinder supply system must be arranged for vapor withdrawal.

- 1) do not store a spare LP gas cylinder under or near this appliance;
- 2) never fill the cylinder beyond 80 percent full; and
- 3) if the instructions in (1) and (2) are not followed exactly, a fire causing death or serious injury may occur.

Place dust cap on cylinder valve outlet whenever the cylinder is not in use. Only install the type of dust cap on the cylinder valve outlet that is provided with the cylinder valve. Other types of caps or plugs may result in leakage of propane.

PARTS & ASSEMBLY



- Single Firebox
- Cutting board 10-769
- Cooking grate 10-771
- Disposable grease tray foil liner CO10-393

Remove all packaging material from inside the firebox prior to igniting.

INSTALLATION INSTRUCTIONS

Valve/Hose Installation



1. Connect the regulator to the 1lb propane cylinder, screwing it clockwise.

2. Rotate the bottle down until it rests in the provided cradle.

Note: This unit is designed to use a 1lb cylinder

OPERATING PROCEDURES

⚠ DANGER

If you smell gas:

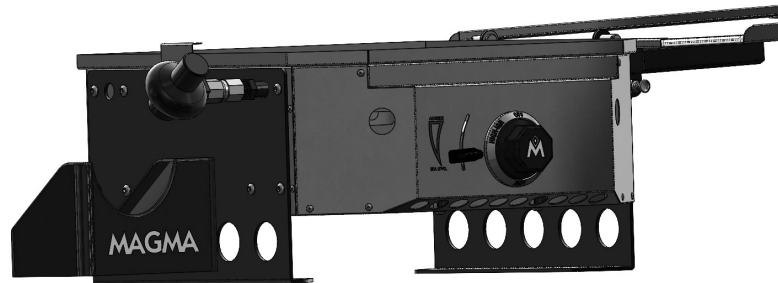
- Shut off gas to the appliance.
- Extinguish any open flame.
- Open lid.
- If odor continues, keep away from the appliance and immediately call your fire department.

Failure to follow these instructions could result in fire or explosion which could cause property damage, personal injury or death.

Lighting Instructions

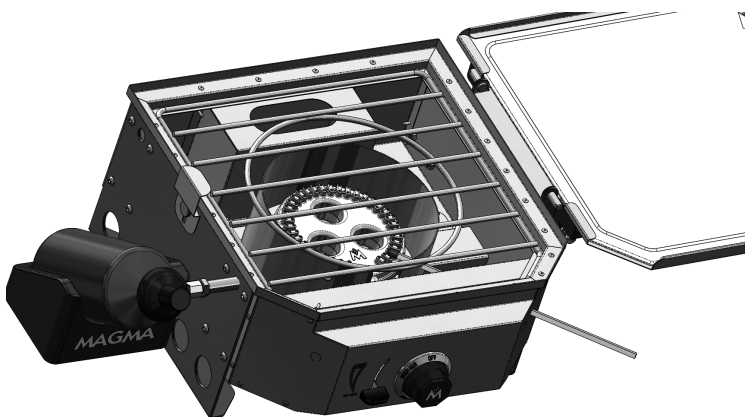
READ ALL INSTRUCTIONS BEFORE LIGHTING

1. Open lid during lighting
2. Push in knob and turn to the left until the igniter engages and the spark hits the gas.
3. Release the knob and turn left until the flame reaches the desired level.
4. If ignition does not occur in 5 seconds, turn the burner control off, wait 5 minutes, and repeat lighting procedure
5. Do not close the lid if the appliance is still hot



CAUTION: The gas pressure regulator provided with this appliance must be used. Replace only with regulator model: 10-775

Manual Lighting Instructions



1. Insert a long match or long lighter through the cooking grates of the firebox, until the flame is near the burner.
2. Push in the front knob and turn to the left until gas is released and the burner lights.

The appliance shall not be located or used under overhead unprotected combustible construction.

The unit must be a minimum of 24" from any combustible material from the either the side or back when in use.

OPERATING PROCEDURES

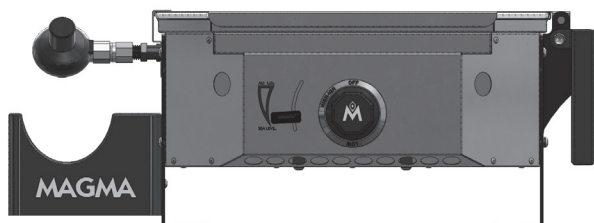
Altitude Adjustment

Slide up or down, depending on your elevation.

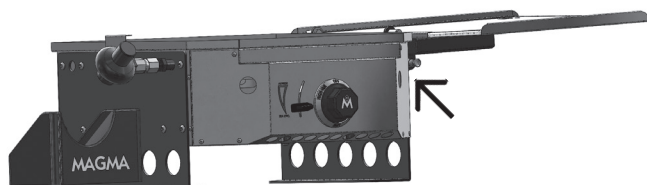
Normal flame should be all blue and look like its touching the burner at the bottom, with a minimal amount of yellow/orange. Too much yellow/orange indicates that there is not enough primary oxygen, and the adjuster should be raised towards the high altitude position. If flame is blue and "roaring" with the base looking like it's raised off of the burner then you have too much primary oxygen. The adjuster should be moved towards sea level/lower altitude.



Opening Handles for Table Support



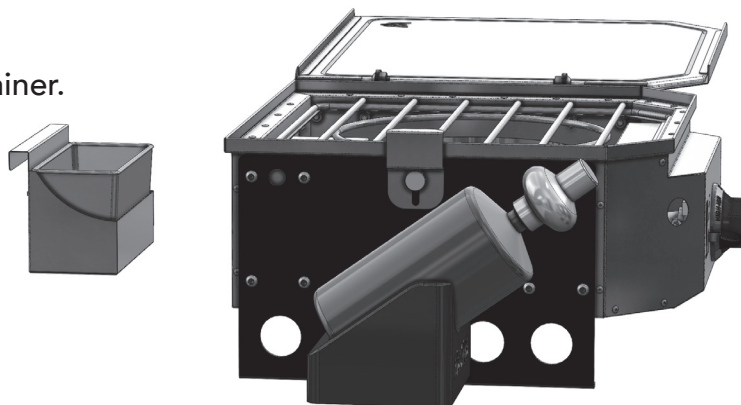
1. Pull handles up from bottom until they lock into place.



2. Unclip and open covers/tables until they rest on the handles.
3. To close the handle, pull the pin under handle to release and fold down.

Grease Container Removal

1. Press the lever to unlock on the grease container.
2. Pull out tray and remove disposable tray.





PRODUCT REGISTRATION

Register your product today for support.
Visit magmaproducts.com/pages/submit-your-product-registration
or scan the QR code

LIMITED WARRANTY

Magma Products, LLC guarantees this product to be free from defects in materials or workmanship to the original consumer. This guarantee is for the periods herein specified when used under normal and reasonable conditions, one (1) year from the date of original purchase. This warranty does not include the cost of property damage or any inconvenience due to the failure of the product. Nor does it cover damage due to misuse, abuse, accident, or damage resulting from transportation of the product. Nor does it include damage resulting from the commercial use of this product. Nor does it include, on stainless steel products, "Surface Rust"; Excessive Corrosion due to exposure to salt water; or Discoloration or Corrosion caused by exposure to excessive heat or failure to properly clean and care for the stainless steel surfaces.

If the product fails to operate due to a defect in materials or workmanship during the warranty period, the defective part will be repaired or replaced at Magma's option. If you wish to obtain performance under this limited warranty, contact Magma's Customer Service Department via telephone at (562) 627- 0500, or via e-mail at mail@MagmaProducts.com, or via U.S. Postal Service mail at "Magma Products, LLC, Attention Customer Service, 3940 Pixie Ave. Lakewood, CA, 90712". The defective part, along with proof of purchase, must be returned postage prepaid to Magma Products, LLC. We suggest that you keep your purchase receipt as we may require reasonable proof of purchase.

In the state of California only, if refinishing or replacement of the product is not commercially practicable, the retailer selling the product, or Magma Products, LLC, will refund the purchase price paid for the product, less the amount directly attributable to use by the original consumer prior to the discovery of the nonconformity. In addition, in the state of California only, you may take the product to the retail establishment from which it was purchased or to any retail establishment selling this product in order to obtain performance under this warranty. All implied warranties, including the implied warranties of merchantability and fitness for a particular purpose, are limited in duration to the express warranty periods specified herein for the parts described herein. Some states do not allow limitations on how long an implied warranty lasts, so the above limitation may not apply to you. Neither Magma dealers, nor the retail establishment selling this product has any authority to make any warranties or to promise remedies in addition to or inconsistent with those stated above. Magma's maximum liability shall not exceed the purchase price of the product paid by the original consumer. Some states do not allow the exclusion or limitation of incidental or consequential damages, so the above limitation or exclusions may not apply to you. The warranty gives you specific legal rights and you may also have other rights which vary from state to state.

MAGMA and the Magma logo are registered trademarks of Magma Products, LLC

MAGMA®

Magma Products, LLC
3940 Pixie Avenue, Lakewood, CA 90712 USA
562-627-0500 | mail@magmaproducts.com
MagmaProducts.com

MAGMA[®]

MANUEL DU PROPRIÉTAIRE

SÉRIE CROISÉE

BOÎTE À FEU SIMPLE

CO10-101



ATTENTION : VEUILLEZ LIRE CES INSTRUCTIONS AVANT D'INSTALLER OU D'UTILISER L'APPAREIL ET LES CONSERVER POUR TOUTE RÉFÉRENCE FUTURE

Pour toute question concernant les performances, l'assemblage, le fonctionnement, les pièces détachées ou les retours, contactez les experts de MAGMA.
(562) 627-0500 | Jours ouvrables 7AM-4PM PT ou
envoyez-nous un courriel à mail@magmaproducts.com.

TABLE DES MATIÈRES

- 1. Informations importantes sur la sécurité**
- 2. Informations importantes sur la sécurité (suite)**
- 3. Maintenance**
- 4. Parties & Assemblage**
 - Aperçu du produit et pièces de rechange
 - Instructions d'installation**
 - Installation de la vanne/du tuyau
- 5. Procédures opérationnelles**
 - Instructions d'allumage
 - Instructions d'allumage manuel
- 6. Procédures opérationnelles**
 - Réglage de l'altitude
 - Ouverture des poignées pour le support de la table
 - Retrait du récipient à graisse
- 7. Enregistrement du produit**
 - Informations sur la garantie**

INFORMATION IMPORTANTE DE SÉCURITÉ

BIEN LIRE TOUTES LES INSTRUCTIONS AVANT

Ce manuel d'instructions contient des informations importantes nécessaires au montage correct et à l'utilisation sûre de l'appareil.

Lisez et suivez tous les avertissements et instructions avant d'assembler et d'utiliser l'appareil.

Suivez tous les avertissements et toutes les instructions lorsque vous utilisez l'appareil.

Conservez ce manuel pour vous y référer ultérieurement.

DANGER

Si vous sentez une odeur de gaz :

- Fermez le gaz de l'appareil.
- Éteignez toute flamme nue.
- Ouvrez le couvercle.
- Si l'odeur persiste, éloignez-vous de l'appareil et appelez immédiatement les pompiers.

Le non-respect de ces instructions peut entraîner un incendie ou une explosion susceptible de provoquer des dommages matériels, des blessures ou la mort.

DANGER

- Ne faites jamais fonctionner cet appareil sans surveillance.
- En cas d'incendie, éloignez-vous de l'appareil et appelez immédiatement les pompiers. N'essayez pas d'éteindre un feu d'huile ou de graisse avec de l'eau.

Le non-respect de ces instructions peut entraîner un incendie, une explosion ou un risque de brûlure pouvant causer des dommages matériels, des blessures ou la mort.

SI VOUS SENTEZ DU GAZ

1. Fermer le gaz qui va à l'appareil.
2. Eteindre toute flamme.
3. Si l'odeur persiste, évacuer immédiatement les locaux et appeler la compagnie de gaz d'un téléphone voisin.

A UTILISER EN PLEIN AIR UNIQUEMENT

Si cet appareil est entreposé à l'intérieur, détacher les tuyaux et laisser le réservoir de gaz à l'extérieur avec les valves fermées et capuchonnées.

TYPE DE CARBURANT

Cette unité est conçue pour être utilisée uniquement avec du propane. Aucun autre carburant n'est approuvé pour être utilisé avec cette unité. Pour une application au gaz naturel, contactez Magma.

INFORMATION IMPORTANTE DE SÉCURITÉ

BIEN LIRE TOUTES LES INSTRUCTIONS AVANT

RESERVOIR DE CARBURANT

Toujours entreposer les bouteilles de carburant dans un lieu sûr en plein air avec les valves fermées et capuchonnées. Suivre les recommandations du fabricant quant à l'utilisation et l'entreposage corrects des réservoirs de propane. Ne Pas Mettre Les Réservoirs De Propane Directement Sous Aucune Partie Des Brûleurs.

MATERIAUX COMBUSTIBLES

Pendant l'utilisation de la cuisinière, s'assurer que tous les matériaux combustibles sont éloignés du haut, des côtés et de l'arrière de l'appareil de cuisson. A utilisation de plein air uniquement. Ne pas utiliser près de murs inflammables ou sous des avant-toits de maison ou de garage. Ne pas laisser sans surveillance quand elle est chaude on pendant son utilisation. Laisser la cuisinière refroidir avant de la démonter et de l'entreposer. Le réservoir de propane doit toujours être entreposé dehors dans un endroit bien ventilé. Ne Jamais Se Tenir Ou Se Pencher Au-dessus De La Cuisinière Pendant Son Allumage.

POUR VOTRE SECURITE

Suivre toutes les instructions de sécurité, de montage, d'allumage et de cuisson. Ne pas entreposer ou utiliser de l'essence ou d'autres vapeurs inflammables dans la proximité de cet appareil ou autre.

MONOXYDE DE CARBONE

Cet appareil peut produire du monoxyde de carbone, un gaz inodore. L'utilisation de cet appareil dans des espaces clos peut entraîner la mort. Ne jamais utiliser cet appareil dans un espace clos comme un véhicule de camping, une tente, une automobile ou une maison.

PROP 65

AVERTISSEMENT : Ce produit peut vous exposer à des produits chimiques, y compris le chrome (composés hexavalents), qui sont connus dans l'État de Californie pour causer le cancer et des anomalies congénitales ou d'autres problèmes de reproduction.

Pour plus d'informations, consultez le site : www.p65Warnings.ca.gov

L'installation doit être conforme aux codes locaux ou, en l'absence de codes locaux, au Storage and Handling of Liquefied Petroleum Gases, ANSI/NFPA 58 ; ou au Natural Gas and Propane Installation Code, CSA B149.1 ; Propane Storage and Handling, CSA B149.2.

Cet appareil n'est pas destiné à être installé dans ou sur un bateau.

Cet appareil n'est pas conçu pour être installé dans ou sur un véhicule récréatif.

Nettoyez et inspectez le tuyau avant chaque utilisation de l'appareil. S'il y a des signes d'abrasion, d'usure, de coupures ou de fuites, le tuyau doit être remplacé avant la mise en service de l'appareil. Le tuyau de remplacement doit être celui spécifié par le fabricant.

Maintenez le tuyau d'alimentation en combustible à l'écart de toute surface chauffée.

Cet appareil n'est pas destiné à un usage commercial.

La consommation d'alcool, de médicaments sur ordonnance ou en vente libre peut nuire à la capacité du consommateur d'assembler correctement l'appareil ou de le faire fonctionner en toute sécurité.

En cas de pluie, de neige, de grêle, de grésil ou d'autres formes de précipitations pendant la cuisson à l'huile ou à la graisse, couvrez immédiatement le récipient de cuisson et éteignez les brûleurs de l'appareil et l'alimentation en gaz. N'essayez pas de déplacer l'appareil ou le récipient de cuisson.

Ne laissez pas l'appareil sans surveillance. Tenez les enfants et les animaux domestiques éloignés de l'appareil à tout moment.

Ne placez pas de récipient de cuisson vide sur l'appareil lorsqu'il est en marche. Faites attention lorsque vous placez quelque chose dans le récipient de cuisson pendant que l'appareil est en marche.

Ne déplacez pas l'appareil lorsqu'il est en marche. Laissez le récipient de cuisson refroidir à 45 °C (115 °F) avant de le déplacer ou de le ranger.

Cet appareil n'est pas conçu pour servir de chauffage et ne doit jamais être utilisé comme tel.

Cet appareil sera chaud pendant et après son utilisation. Utilisez des gants ou des gants de cuisine isolés pour vous protéger des surfaces chaudes ou des éclaboussures de liquides de cuisson.

Évitez de cogner ou de heurter l'appareil afin d'éviter tout déversement ou projection de liquide de cuisson chaud.

Ne laissez jamais tomber les aliments ou les accessoires dans le liquide de cuisson chaud. Abaissez lentement les aliments et les accessoires dans le liquide de cuisson afin d'éviter les éclaboussures ou les débordements. Lorsque vous retirez les aliments de l'appareil, faites attention à ne pas vous brûler avec les liquides de cuisson chauds.

L'appareil doit se trouver à au moins 24 pouces de tout matériau combustible sur le côté ou à l'arrière lorsqu'il fonctionne.

L'appareil ne doit pas être placé ou utilisé sous une construction combustible aérienne non protégée.

INFORMATION IMPORTANTE DE SÉCURITÉ

BIEN LIRE TOUTES LES INSTRUCTIONS AVANT

MAINTENANCE

Maintenir la zone de l'appareil dégagée et exempte de matériaux combustibles, d'essence et d'autres vapeurs et liquides inflammables.

Ne pas obstruer la circulation de l'air de combustion et de ventilation.

Gardez les ouvertures de ventilation de l'enceinte de la bouteille libres et exemptes de débris.

Vérifiez et nettoyez les tubes du brûleur/venturi pour détecter les insectes et les nids d'insectes. Un tube bouché peut entraîner un incendie sous l'appareil.



Une flamme normale doit être entièrement bleue et avoir l'air de toucher le brûleur en bas, avec une quantité minimale de jaune/orange.

Une trop grande quantité de jaune/orange indique qu'il n'y a pas assez d'oxygène primaire, et que l'ajusteur doit être relevé vers la position haute altitude. Si la flamme est bleue et "rugissante" et que la base semble s'être soulevée du brûleur, c'est que vous avez trop d'oxygène primaire. Le dispositif de réglage doit être déplacé vers le niveau de la mer/altitude inférieure.

La bouteille d'alimentation en gaz de pétrole liquéfié à utiliser doit être construite et marquée conformément aux spécifications relatives aux bouteilles de gaz de pétrole liquéfié du ministère des Transports des États-Unis (MDT) ou à la norme relative aux bouteilles, sphères et tubes pour le transport des marchandises dangereuses, CAN/CSA-B339.

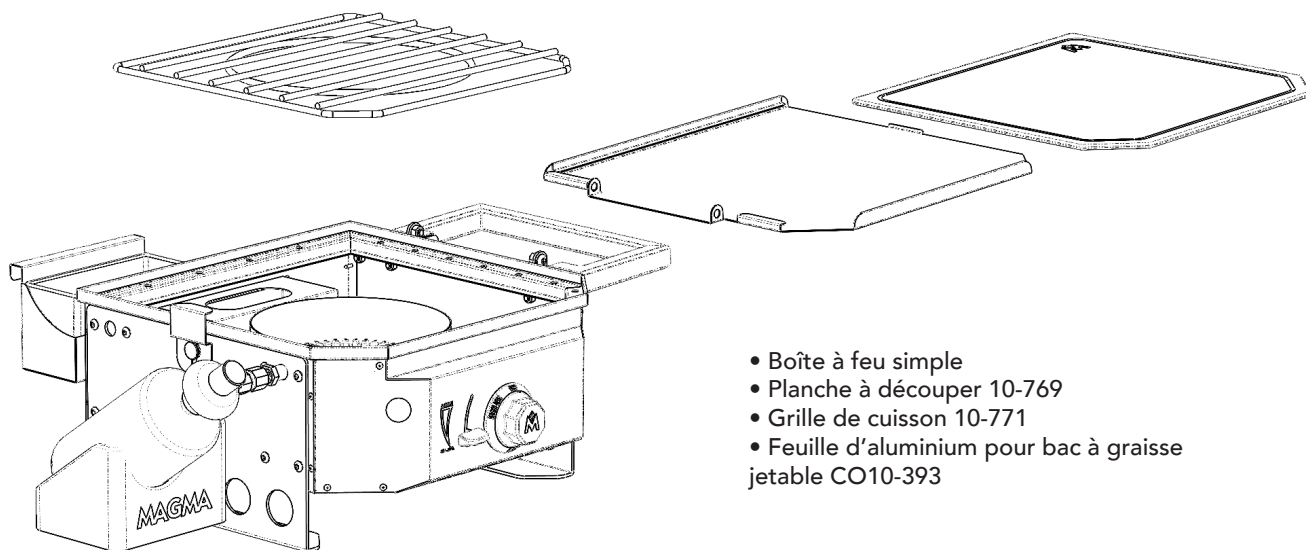
Le régulateur de pression et l'ensemble de tuyaux fournis avec l'appareil doivent être utilisés. Les régulateurs de pression et les ensembles de tuyaux de remplacement doivent être ceux spécifiés par le fabricant de l'appareil.

Le système d'alimentation de la bouteille doit être prévu pour le prélèvement de vapeur.

1. ne pas ranger une bouteille de gaz de pétrole liquéfié de rechange sous ou près de cet appareil ;
2. ne remplissez jamais la bouteille à plus de 80 % ; et
3. si les instructions de (1) et (2) ne sont pas suivies à la lettre, un incendie causant la mort ou des blessures graves peut se produire.

Placez le capuchon anti-poussière sur la sortie du robinet de la bouteille lorsque la bouteille n'est pas utilisée. N'installez sur la sortie du robinet de la bouteille que le type de bouchon anti-poussière fourni avec le robinet de la bouteille. D'autres types de capuchons ou de bouchons peuvent entraîner des fuites de propane.

PARTIES ET ASSEMBLAGE



- Boîte à feu simple
- Planche à découper 10-769
- Grille de cuisson 10-771
- Feuille d'aluminium pour bac à graisse jetable CO10-393

Retirez tous les matériaux d'emballage de l'intérieur du foyer avant de l'allumer.

INSTRUCTIONS D'INSTALLATION

Installation de la vanne/du tuyau



1. Connectez le détendeur à la bouteille de propane de 1lb, en le vissant dans le sens des aiguilles d'une montre.

2. Faites pivoter la bouteille vers le bas jusqu'à ce qu'elle repose dans le berceau prévu à cet effet.

Note: Cette unité est conçue pour utiliser un cylindre de 1lb.

PROCÉDURES OPÉRATIONNELLES

DANGER

Si vous sentez une odeur de gaz :

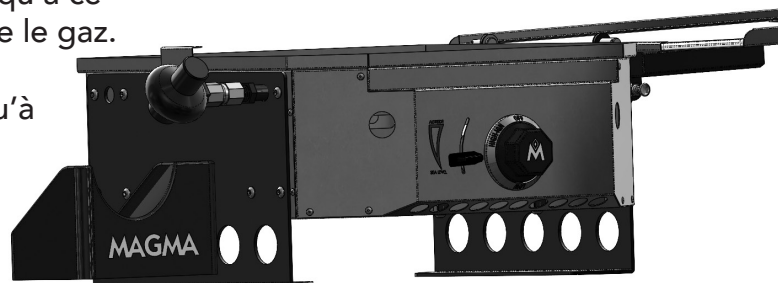
- Fermez le gaz de l'appareil.
- Éteignez toute flamme nue.
- Ouvrez le couvercle.
- Si l'odeur persiste, éloignez-vous de l'appareil et appelez immédiatement les pompiers.

Le non-respect de ces instructions peut entraîner un incendie ou une explosion susceptible de provoquer des dommages matériels, des blessures ou la mort.

Instructions d'allumage

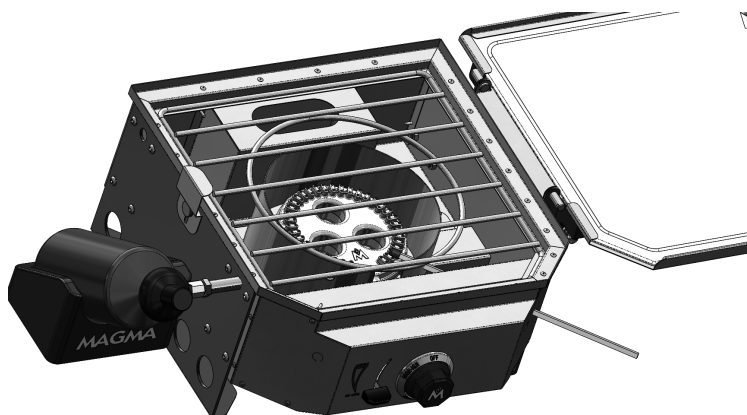
LIRE TOUTES LES INSTRUCTIONS AVANT L'ALLUMAGE

1. Ouvrir le couvercle pendant l'allumage
2. Poussez le bouton et tournez-le vers la gauche jusqu'à ce que l'allumeur s'enclenche et que l'étincelle touche le gaz.
3. Relâchez le bouton et tournez vers la gauche jusqu'à ce que la flamme atteigne le niveau souhaité.
4. Si l'allumage ne se produit pas dans les 5 secondes, éteignez la commande du brûleur, attendez 5 minutes et répétez la procédure d'allumage.
5. Ne fermez pas le couvercle si l'appareil est encore chaud.



ATTENTION : Le régulateur de pression de gaz fourni avec cet appareil doit être utilisé. Remplacer uniquement par le modèle de régulateur : 10-775

Instructions pour l'allumage manuel



1. Insérez une longue allumette ou un long briquet à travers les grilles de cuisson du foyer, jusqu'à ce que la flamme soit proche du brûleur.
2. Enfoncez le bouton avant et tournez-le vers la gauche jusqu'à ce que le gaz soit libéré et que le brûleur s'allume.

L'appareil ne doit pas être placé ou utilisé sous une construction combustible aérienne non protégée.

Lorsqu'il est utilisé, l'appareil doit se trouver à au moins 24 pouces de tout matériau combustible, que ce soit sur le côté ou à l'arrière.

PROCÉDURES OPÉRATIONNELLES

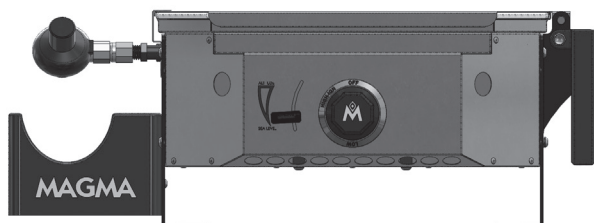
Réglage de l'altitude

Glissez vers le haut ou vers le bas, en fonction de votre niveau.

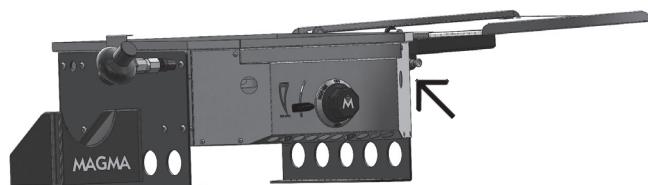
Une flamme normale doit être entièrement bleue et avoir l'air de toucher le brûleur en bas, avec une quantité minimale de jaune/orange. Une trop grande quantité de jaune/orange indique qu'il n'y a pas assez d'oxygène primaire, et que l'ajusteur doit être relevé vers la position haute altitude. Si la flamme est bleue et "rugissante" et que la base semble s'être soulevée du brûleur, c'est que vous avez trop d'oxygène primaire. L'ajusteur doit être déplacé vers le niveau de la mer/altitude inférieure.



Poignées d'ouverture pour le support de la table



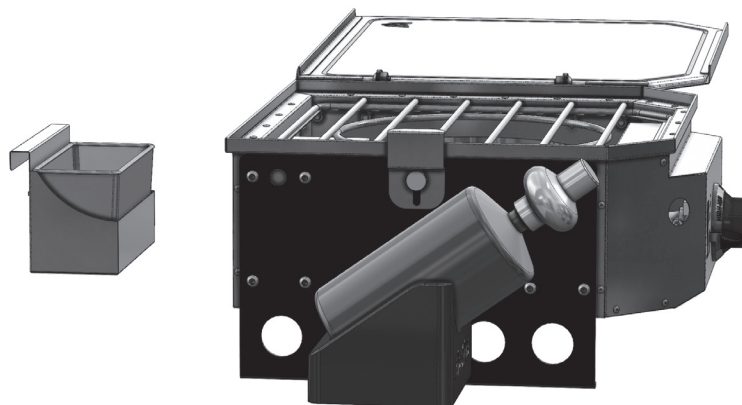
1. Tirez les poignées vers le haut depuis le bas jusqu'à ce qu'elles se verrouillent en place.



2. Déclipser et ouvrir les couvercles/tables jusqu'à ce qu'ils reposent sur les poignées.
3. Pour fermer la poignée, tirez la goupille sous la poignée pour la libérer et la rabattre.

Enlèvement du récipient à graisse

1. Appuyez sur le levier de déverrouillage du bac à graisse.
2. Tirez le plateau et retirez le plateau jetable.





ENREGISTREMENT DU PRODUIT

Enregistrez votre produit dès aujourd'hui pour bénéficier d'une assistance. Visitez magmaproducts.com/pages/submit-your-product-registration ou scannez le code QR.

GARANTIE LIMITÉ

Magma Products, LLC garantit au consommateur d'origine que ce produit est exempt de défauts de matériaux ou de fabrication. Cette garantie est valable pour les périodes spécifiées dans le présent document lorsqu'il est utilisé dans des conditions normales et raisonnables. (l) an à compter de la date d'achat originale. Cette garantie ne couvre pas le coût des dommages matériels ou de tout inconvénient dû à la défaillance du produit. Elle ne couvre pas non plus les dommages dus à une mauvaise utilisation, un abus, un accident ou des dommages résultant du transport du produit. Elle ne couvre pas non plus les dommages résultant de l'utilisation commerciale de ce produit. Elle ne couvre pas non plus, sur les produits en acier inoxydable, la "rouille de surface", la corrosion excessive due à l'exposition à l'eau salée, la décoloration ou la corrosion causée par l'exposition à une chaleur excessive ou le manque de nettoyage et d'entretien adéquats des surfaces en acier inoxydable.

Si le produit ne fonctionne pas en raison d'un défaut de matériaux ou de fabrication pendant la période de garantie, la pièce défectueuse sera réparée ou remplacée au choix de Magma. Si vous souhaitez obtenir l'exécution de cette garantie limitée, contactez le service clientèle de Magma par téléphone au (562) 627-0500, ou par courriel à mail@MagmaProducts.com, ou par courrier postal américain à "Magma Products, LLC, Attention Customer Service, 3940 Pixie Ave. Lakewood, CA, 90712". La pièce défectueuse, accompagnée de la preuve d'achat, doit être retournée en port payé à Magma Products, LLC. Nous vous suggérons de conserver votre reçu d'achat car nous pouvons exiger une preuve d'achat raisonnable.

Dans l'état de Californie uniquement, si la remise en état ou le remplacement du produit n'est pas commercialement réalisable, le détaillant qui vend le produit, ou Magma Products, LLC, remboursera le prix d'achat payé pour le produit, moins le montant direct attribuable à l'utilisation par le consommateur original avant la découverte de la non-conformité. En outre, dans l'État de Californie uniquement, vous pouvez apporter le produit à l'établissement de vente au détail auprès duquel il a été acheté ou à tout établissement de vente au détail vendant ce produit afin d'obtenir l'exécution de la présente garantie. Toutes les garanties implicites, y compris les garanties implicites de qualité marchande et d'adéquation à un usage particulier, sont limitées dans leur durée aux périodes de garantie expresse spécifiées dans le présent document pour les pièces qui y sont décrites. Certains États ne permettent pas de limiter la durée d'une garantie implicite, de sorte que la limitation ci-dessus peut ne pas s'appliquer à votre cas. Ni les revendeurs Magma, ni l'établissement de vente au détail qui vend ce produit n'ont l'autorité de faire des garanties ou de promettre des remèdes en plus ou en contradiction avec ceux indiqués ci-dessus. La responsabilité maximale de Magma ne dépassera pas le prix d'achat du produit payé par le consommateur original. Certains États n'autorisent pas l'exclusion ou la limitation des dommages accessoires ou indirects, de sorte que les limitations ou exclusions ci-dessus peuvent ne pas s'appliquer à vous. La garantie vous donne des droits légaux spécifiques et vous pouvez également avoir d'autres droits qui varient d'un état à l'autre.

MAGMA et le logo Magma sont des marques déposées de Magma Products, LLC.

MAGMA®

Magma Products, LLC
3940 Pixie Avenue, Lakewood, CA 90712 USA
562-627-0500 | mail@magmaproducts.com
MagmaProducts.com