



# TSUNAMI<sup>2</sup> Mk

## ► Why Tsunami Mk2?

Tsunami Mk2 is the only manual bilge pump that eliminates air-locks

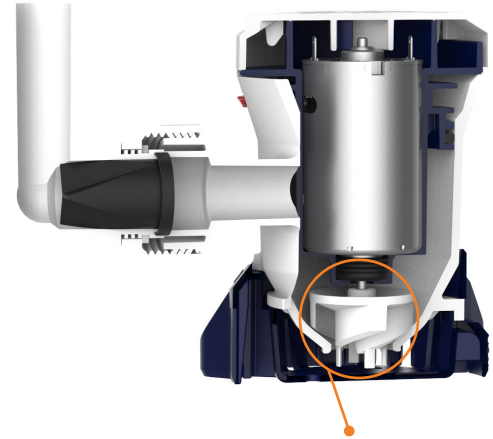
- Patented X-Air™ Impeller ejects trapped air in the pump and pipework.

Tsunami Mk2 is the easiest manual bilge pump to install and service

- External mounting feet and integrated outlet reduces time and effort.
- Service pump cartridge from hard-to-reach areas using only one hand.

Tsunami Mk2 is the most reliable manual bilge pump in freshwater applications

- 40% better protection against water ingress and electrolysis - vs. Mk1.



Patented X-Air™ Impeller



### Key Product Features

- 1 **Patented X-Air™ Impeller:** Prevents air locking so that the pump will not run dry and burn out.
  - 2 **Flexible Outlets:** 90° rotatable elbow outlet allows users to install the pump anywhere in a full 360° orientation.
  - 3 **Single-Hand Pump Cartridge Release:** Convenient when trying to access a pump located in a hard-to-reach area of the boat's hull.
  - 4 **Exterior Mounting Feet:** Eliminates the need to remove the basket, saving OEMs time on production lines.
- **Retrofits footprint of current offering:** Provides a seamless transition for existing customers.
  - **No Pipe Or Hose Removal Required:** Reduces the time that it takes to replace the cartridge.
  - **Industry's Best Motor and Shaft Seals:** Provides better protection against harmful corrosion that in any other instance could cause failure.
  - **Tricuspid Check Valve:** Helps prevent the water from backflowing through the pump.

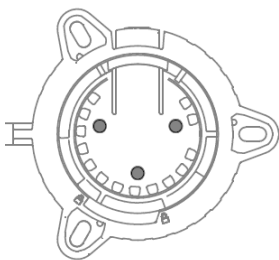


## Tsunami Mk2 Bilge Pump Range

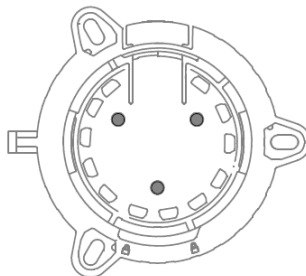
1. Select Boat Type (by length)	0' – 18' (0 – 5.5m)	√		√				
	18' – 23' (5.5 – 7m)			√				
	22' – 26' (6.7 – 8m)					√		
2. Open Flow Rate	w/o Check Valve GPH @ 13.6 V / LPH @ 12 V	536 US GPH 1,156 LPH		796 US GPH 2,682 LPH		1,155 US GPH 4,002 LPH		
	w/ Check Valve GPH @ 13.6 V / LPH @ 12 V	510 US GPH 1,692 LPH		747 US GPH 2,544 LPH		903 US GPH 3,124 LPH		
3. Select Pump Model	Images (Not to Scale)							
	Product Description	Tsunami Mk2 T500		Tsunami Mk2 T800		Tsunami Mk2 T1200		
	New Product Part Number (Old)	12 V	5606-1 (4606-1)		5608-1 (4608-1)		5612-1 (4612-1)	
		24 V	/		5609-1 (4609-1)		5613-1 (4613-1)	
Hose Diameter	¾" & 1"		¾" & 1"		1" & 1-1/8"			
4. Accessories	Images (Not to Scale)							
	Product Description	¾" & 1" Straight Outlet with NRV	¾" & 1" 90° Outlet with NRV	¾" & 1" Straight Outlet with NRV	¾" & 1" 90° Outlet with NRV	1" & 1-1/8" Straight Outlet with NRV	1" & 1-1/8" 90° Outlet with NRV	
	Product Code	AS5605S-1	AS5605E-1	AS5605S-1	AS5605E-1	AS5612S-1	AS5612E-1	

### Mounting Pattern Compatibility:

Tsunami Mk1 500



Tsunami Mk1 800/1200



Johnson L Series

